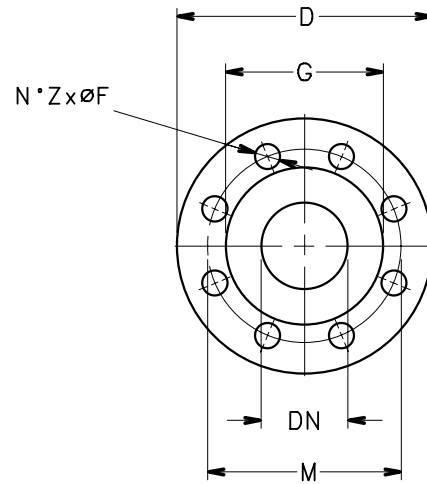


DIMENSIONS AND WEIGHTS

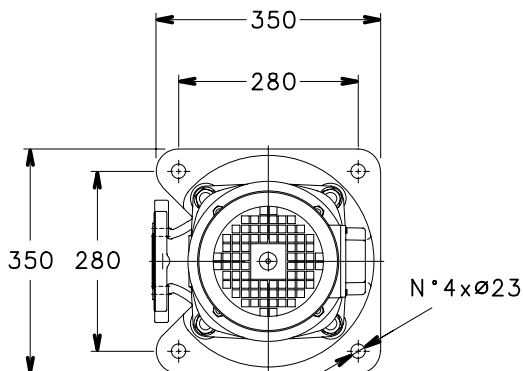
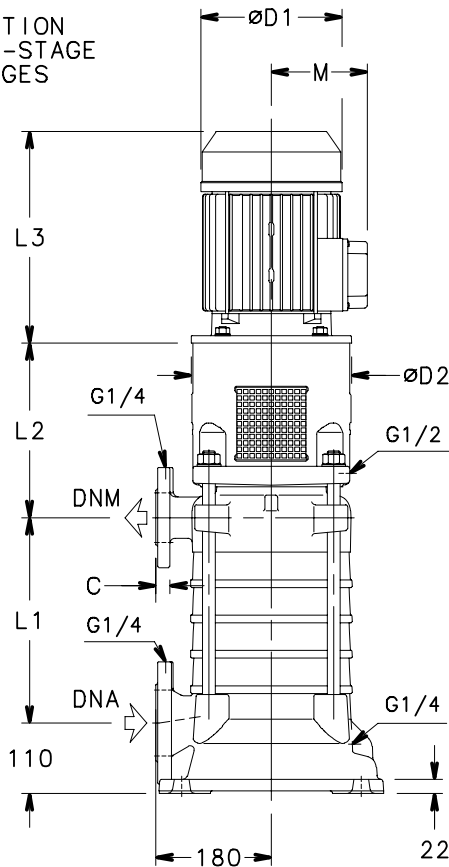
TDB22 SERIES
DIMENSIONS AND WEIGHTS AT 50 Hz, 2 POLES

PUMP FLANGES

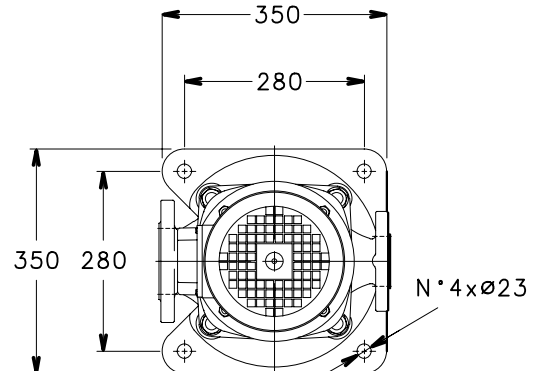
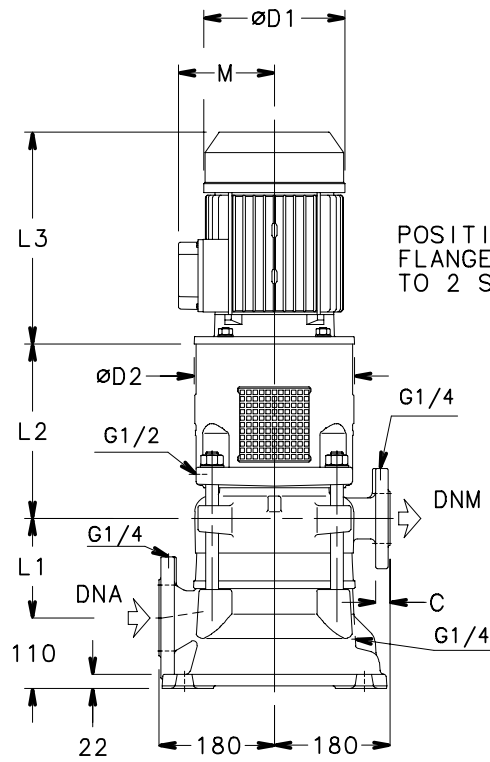
DN	PN	D	M	G	Z	F	C
DNM 40	10/16	156	110	84	4	19	22
	25/40	156	110	84	4	19	22
	63	178	125	84	4	23	28
DNA 65	10/16	191	145	118	4	19	24
	25(*)	191	145	118	8	19	24
	(*) ON REQUEST						



POSITION OF 3-STAGE FLANGES



POSITION OF FLANGES UP TO 2 STAGES



TDB22 SERIES DIMENSIONS AND WEIGHTS AT 50 Hz, 2 POLES

PUMP TYPE	MOTOR		DIMENSIONS (mm)						PN FLANGES		MECH SEAL TYPE	WEIGHT kg	
	kW	SIZE	L1	L2	L3	D1	D2	M	DNA	DNM		PUMP	ELECTRIC
TDB22 01/1C	2,2	90	100	262	298	174	200	134	10	40	SA	91	109
TDB22 01/1B	3	100R	100	272	298	174	250	134	10	40	SA	91	116
TDB22 01/1A	4	112R	100	272	319	197	250	154	10	40	SA	91	118
TDB22 02/2C	4	112R	155	272	319	197	250	154	10	40	SA	101	128
TDB22 02/1B1C	5,5	132R	155	292	375	214	300	168	10	40	SA	104	142
TDB22 02/2B	7,5	132	155	292	367	256	300	191	10	40	SA	104	160
TDB22 02/1A1B	7,5	132	155	292	367	256	300	191	10	40	SA	104	160
TDB22 02/2A	11	160R	155	322	428	256	350	191	10	40	SA	111	181
TDB22 03/2B1C	7,5	132	210	292	367	256	300	191	10	40	SA	114	170
TDB22 03/3B	11	160R	210	322	428	256	350	191	10	40	SA	122	192
TDB22 03/1A2B	11	160R	210	322	428	256	350	191	10	40	SA	122	192
TDB22 03/2A1B	15	160	210	322	494	313	350	240	10	40	SA	122	224
TDB22 03/3A	15	160	210	322	494	313	350	240	10	40	SA	122	224
TDB22 04/4B	15	160	265	322	494	313	350	240	10	40	SA	132	234
TDB22 04/1A3B	15	160	265	322	494	313	350	240	10	40	SA	132	234
TDB22 04/2A2B	15	160	265	322	494	313	350	240	10	40	SA	132	234
TDB22 04/3A1B	15	160	265	322	494	313	350	240	10	40	SA	132	234
TDB22 04/4A	18,5	160	265	322	494	313	350	240	10	40	SA	132	243
TDB22 05/1A4B	15	160	320	322	494	313	350	240	10	40	SB	143	245
TDB22 05/2A3B	18,5	160	320	322	494	313	350	240	10	40	SB	143	254
TDB22 05/3A2B	18,5	160	320	322	494	313	350	240	10	40	SB	143	254
TDB22 05/4A1B	22	180R	320	322	494	313	350	240	10	40	SB	143	264
TDB22 05/5A	22	180R	320	322	494	313	350	240	10	40	SB	143	264
TDB22 06/2A4B	22	180R	375	322	494	313	350	240	10	40	SB	153	274
TDB22 06/3A3B	22	180R	375	322	494	313	350	240	10	40	SB	153	274
TDB22 06/4A2B	22	180R	375	322	494	313	350	240	10	40	SB	153	274
TDB22 06/5A1B	30	200	375	322	657	402	400	317	10	40	SB	155	381
TDB22 06/6A	30	200	375	322	657	402	400	317	10	40	SB	155	381
TDB22 07/3A4B	30	200	430	322	657	402	400	317	10	40	SB	166	392
TDB22 07/4A3B	30	200	430	322	657	402	400	317	10	40	SB	166	392
TDB22 07/5A2B	30	200	430	322	657	402	400	317	10	40	SB	166	392
TDB22 07/6A1B	30	200	430	322	657	402	400	317	10	40	SB	166	392
TDB22 07/7A	30	200	430	322	657	402	400	317	10	40	SB	166	392
TDB22 08/4A4B	30	200	485	322	657	402	400	317	10	40	SB	176	402
TDB22 08/5A3B	30	200	485	322	657	402	400	317	10	40	SB	176	402
TDB22 08/6A2B	30	200	485	322	657	402	400	317	10	40	SB	176	402
TDB22 08/7A1B	37	200	485	322	657	402	400	317	10	40	SB	176	431
TDB22 08/8A	37	200	485	322	657	402	400	317	10	40	SB	176	431
TDB22 09/5A4B	30	200	540	322	657	402	400	317	10	40	SB	187	413
TDB22 09/6A3B	37	200	540	322	657	402	400	317	10	40	SB	187	442
TDB22 09/7A2B	37	200	540	322	657	402	400	317	10	40	SB	187	442
TDB22 09/8A1B	37	200	540	322	657	402	400	317	10	40	SB	187	442
TDB22 09/9A	37	200	540	322	657	402	400	317	10	40	SB	187	442
TDB22/10/6A4B	37	200	595	322	657	402	400	317	10	40/63	SB	197	452
TDB22 10/7A3B	37	200	595	322	657	402	400	317	10	40/63	SB	197	452
TDB22 10/8A2B	37	200	595	322	657	402	400	317	10	40/63	SB	197	452
TDB22 10/9A1B	45	225	595	322	746	455	450	384	10	40/63	SB	202	558
TDB22 10/10A	45	225	595	322	746	455	450	384	10	63	SB	202	558
TDB22 11/7A4B	45	225	650	322	746	455	450	384	10	63	SB	212	568
TDB22 11/8A3B	45	225	650	322	746	455	450	384	10	63	SB	212	568
TDB22 11/9A2B	45	225	650	322	746	455	450	384	10	63	SB	212	568
TDB22 11/10A1B	45	225	650	322	746	455	450	384	10	63	SB	212	568
TDB22 11/11A	45	225	650	322	746	455	450	384	10	63	SB	212	568
TDB22 12/8A4B	45	225	705	322	746	455	450	384	10	63	SB	223	579
TDB22 12/9A3B	45	225	705	322	746	455	450	384	10	63	SB	223	579
TDB22 12/10A2B	45	225	705	322	746	455	450	384	10	63	SB	223	579
TDB22 12/11A1B	55	250	705	352	825	486	550	402	10	63	SB	258	671
TDB22 12/12A	55	250	705	352	825	486	550	402	10	63	SB	258	671

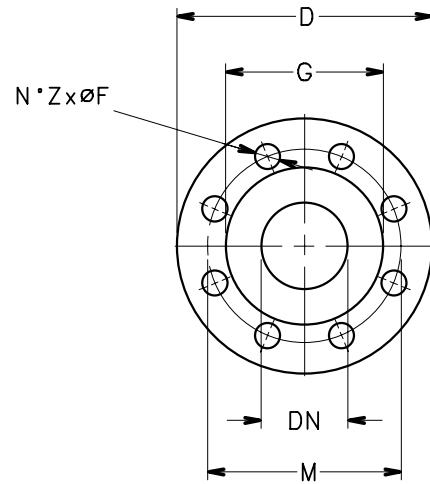
Weights refer to Version F (Cast Iron)

tdb22-2p50-en_b_td

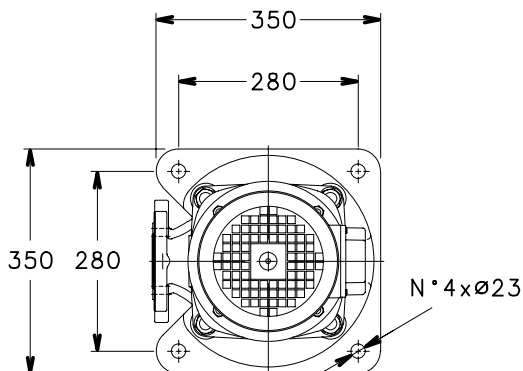
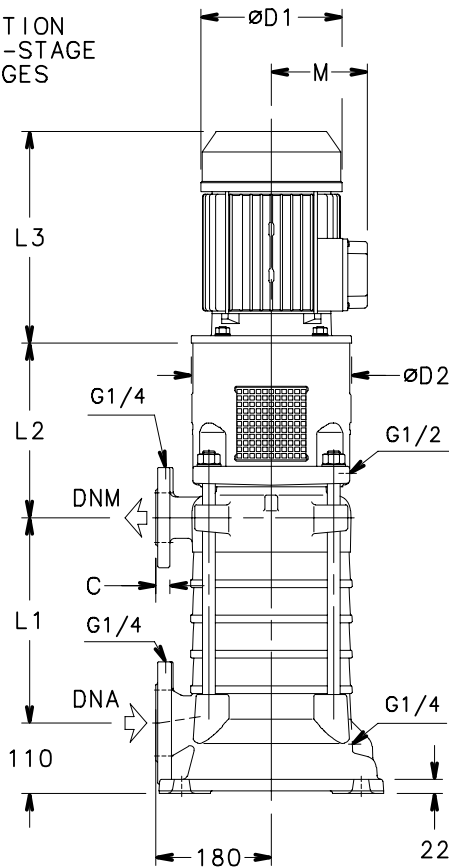
TDB35 SERIES
DIMENSIONS AND WEIGHTS AT 50 Hz, 2 POLES

PUMP FLANGES

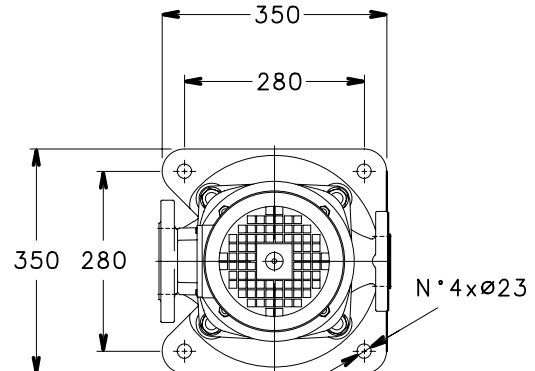
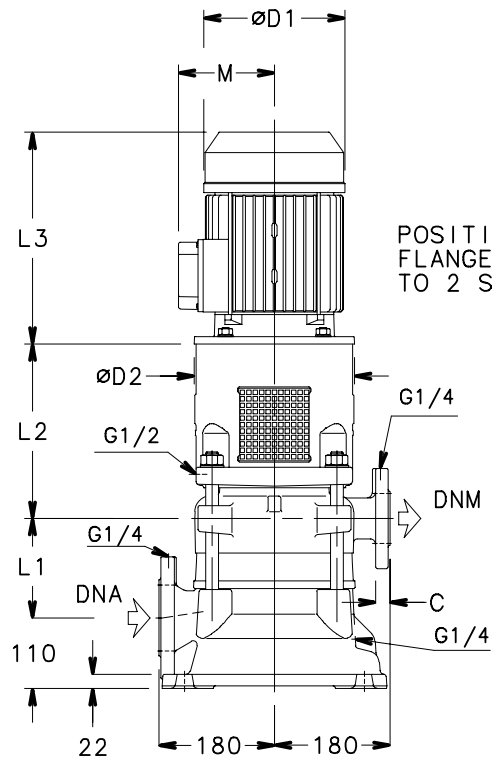
DN	PN	D	M	G	Z	F	C
DNM 40	10/16	156	110	84	4	19	22
	25/40	156	110	84	4	19	22
	63	178	125	84	4	23	28
DNA 65	10/16	191	145	118	4	19	24
	25(*)	191	145	118	8	19	24
	(*) ON REQUEST						



POSITION
OF 3-STAGE
FLANGES



POSITION OF
FLANGES UP
TO 2 STAGES



TDB35 SERIES

DIMENSIONS AND WEIGHTS AT 50 Hz, 2 POLES

PUMP TYPE	MOTOR		DIMENSIONS (mm)						PN FLANGES		MECH SEAL TYPE	WEIGHT kg	
	kW	SIZE	L1	L2	L3	D1	D2	M	DNA	DNM		PUMP	ELECTRIC
TDB35 01/1C	3	100R	100	272	298	174	250	134	10	40	SA	91	116
TDB35 01/1B	4	112R	100	272	319	197	250	154	10	40	SA	91	118
TDB35 01/1A	5,5	132R	100	292	375	214	300	168	10	40	SA	93	131
TDB35 02/2B	7,5	132	155	292	367	256	300	191	10	40	SA	104	160
TDB35 02/1A1B	11	160R	155	322	428	256	350	191	10	40	SA	111	181
TDB35 02/2A	11	160R	155	322	428	256	350	191	10	40	SA	111	181
TDB35 03/3B	11	160R	210	322	428	256	350	191	10	40	SA	122	192
TDB35 03/1A2B	15	160	210	322	494	313	350	240	10	40	SA	122	224
TDB35 03/2A1B	15	160	210	322	494	313	350	240	10	40	SA	122	224
TDB35 03/3A	18,5	160	210	322	494	313	350	240	10	40	SA	122	233
TDB35 04/1A3B	18,5	160	265	322	494	313	350	240	10	40	SA	132	243
TDB35 04/2A2B	18,5	160	265	322	494	313	350	240	10	40	SA	132	243
TDB35 04/3A1B	22	180R	265	322	494	313	350	240	10	40	SA	132	253
TDB35 04/4A	22	180R	265	322	494	313	350	240	10	40	SA	132	253
TDB35 05/2A3B	22	180R	320	322	494	313	350	240	10	40	SB	143	264
TDB35 05/3A2B	30	200	320	322	657	402	400	317	10	40	SB	145	371
TDB35 05/4A1B	30	200	320	322	657	402	400	317	10	40	SB	145	371
TDB35 05/5A	30	200	320	322	657	402	400	317	10	40	SB	145	371
TDB35 06/3A3B	30	200	375	322	657	402	400	317	10	40	SB	155	381
TDB35 06/4A2B	30	200	375	322	657	402	400	317	10	40	SB	155	381
TDB35 06/5A1B	30	200	375	322	657	402	400	317	10	40	SB	155	381
TDB35 06/6A	37	200	375	322	657	402	400	317	10	40	SB	155	410
TDB35 07/4A3B	37	200	430	322	657	402	400	317	10	40	SB	166	421
TDB35 07/5A2B	37	200	430	322	657	402	400	317	10	40	SB	166	421
TDB35 07/6A1B	37	200	430	322	657	402	400	317	10	40	SB	166	421
TDB35 07/7A	37	200	430	322	657	402	400	317	10	40	SB	166	421
TDB35 08/5A3B	37	200	485	322	657	402	400	317	10	40	SB	176	431
TDB35 08/6A2B	37	200	485	322	657	402	400	317	10	40	SB	176	431
TDB35 08/7A1B	45	225	485	322	746	455	450	384	10	40	SB	181	537
TDB35 08/8A	45	225	485	322	746	455	450	384	10	40	SB	181	537
TDB35 09/6A3B	45	225	540	322	746	455	450	384	10	40	SB	191	547
TDB35 09/7A2B	45	225	540	322	746	455	450	384	10	40	SB	191	547
TDB35 09/8A1B	45	225	540	322	746	455	450	384	10	40	SB	191	547
TDB35 09/9A	55	250	540	352	825	486	550	402	10	40	SB	226	639
TDB35 10/7A3B	55	250	595	352	825	486	550	402	10	40/63	SB	237	650
TDB35 10/8A2B	55	250	595	352	825	486	550	402	10	40/63	SB	237	650
TDB35 10/9A1B	55	250	595	352	825	486	550	402	10	40/63	SB	237	650
TDB35 10/10A	55	250	595	352	825	486	550	402	10	40/63	SB	237	650
TDB35 11/8A3B	55	250	650	352	825	486	550	402	10	63	SB	247	660
TDB35 11/9A2B	55	250	650	352	825	486	550	402	10	63	SB	247	660
TDB35 11/10A1B	55	250	650	352	825	486	550	402	10	63	SB	247	660
TDB35 11/11A	75	280	650	352	931	599	550	472	10	63	SB	247	877
TDB35 12/9A3B	55	250	705	352	825	486	550	402	10	63	SB	258	671
TDB35 12/10A2B	75	280	705	352	931	599	550	472	10	63	SB	258	888
TDB35 12/11A1B	75	280	705	352	931	599	550	472	10	63	SB	258	888
TDB35 12/12A	75	280	705	352	931	599	550	472	10	63	SB	258	888

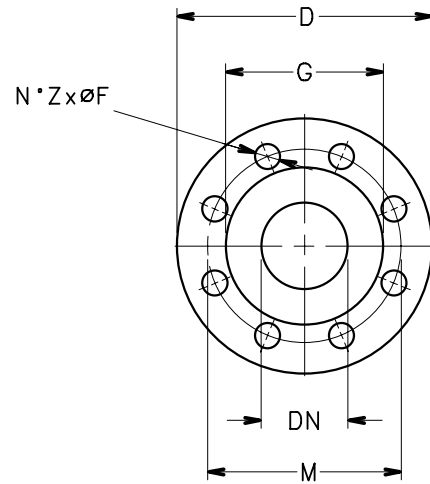
Weights refer to Version F (Cast Iron)

tdb35-2p50-en_c_td

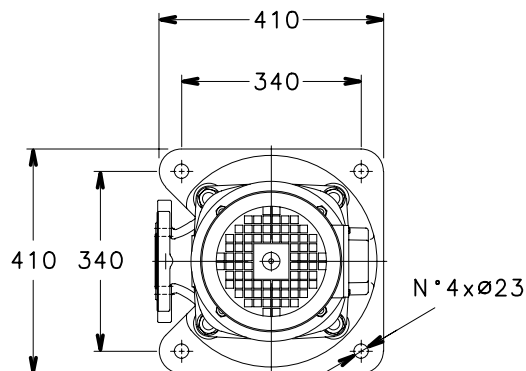
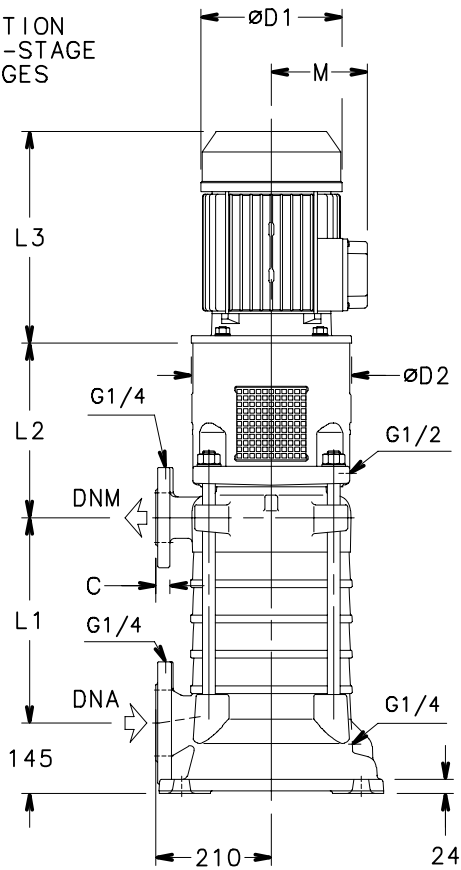
TDB58 SERIES
DIMENSIONS AND WEIGHTS AT 50 Hz, 2 POLES

PUMP FLANGES

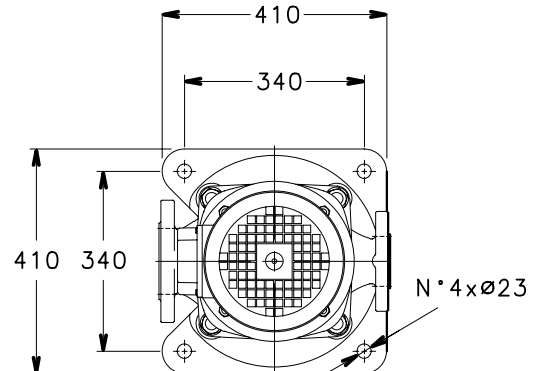
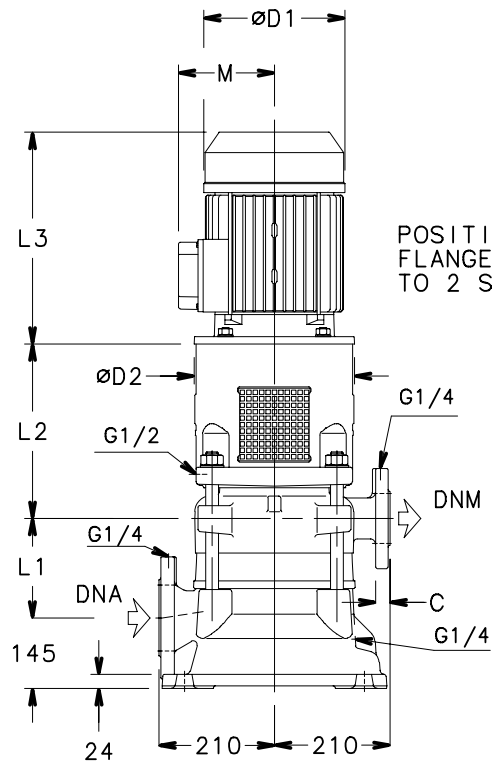
DN	PN	D	M	G	Z	F	C
DNM 65	10/16	191	145	118	4	19	24
	25/40	191	145	118	8	19	24
	63	205	160	118	8	23	28
DNA 100	10/16	235	180	156	8	19	27
	25(*)	235	190	156	8	23	27
	(*) ON REQUEST						



POSITION OF 3-STAGE FLANGES



POSITION OF FLANGES UP TO 2 STAGES



05401-EN_A_DD

TDB58 SERIES DIMENSIONS AND WEIGHTS AT 50 Hz, 2 POLES

PUMP TYPE	MOTOR		DIMENSIONS (mm)						PN FLANGES		MECH. SEAL TYPE	WEIGHT kg	
	kW	SIZE	L1	L2	L3	D1	D2	M	DNA	DNM		PUMP	ELECTRIC
TDB58 01/1C	7,5	132	125	311	367	256	300	191	10	16	SA	133	189
TDB58 01/1B	7,5	132	125	311	367	256	300	191	10	16	SA	133	189
TDB58 01/1A	11	160R	125	341	428	256	350	191	10	16	SA	143	213
TDB58 02/2C	15	160	195	341	494	313	350	240	10	16	SA	160	262
TDB58 02/1B1C	15	160	195	341	494	313	350	240	10	16	SA	160	262
TDB58 02/2B	18,5	160	195	341	494	313	350	240	10	16	SA	160	271
TDB58 02/1A1B	18,5	160	195	341	494	313	350	240	10	16	SA	160	271
TDB58 02/2A	22	180R	195	341	494	313	350	240	10	16	SA	160	281
TDB58 03/2B1C	22	180R	265	341	494	313	350	240	10	16	SA	176	297
TDB58 03/3B	30	200	265	341	657	402	400	317	10	16/40	SA/SB	179	405
TDB58 03/1A2B	30	200	265	341	657	402	400	317	10	16/40	SA/SB	179	405
TDB58 03/2A1B	30	200	265	341	657	402	400	317	10	16/40	SA/SB	179	405
TDB58 03/3A	37	200	265	341	657	402	400	317	10	16/40	SA/SB	179	434
TDB58 04/4B	30	200	335	341	657	402	400	317	10	40	SB	196	422
TDB58 04/1A3B	37	200	335	341	657	402	400	317	10	40	SB	196	451
TDB58 04/2A2B	37	200	335	341	657	402	400	317	10	40	SB	196	451
TDB58 04/3A1B	45	225	335	341	746	455	450	384	10	40	SB	201	557
TDB58 04/4A	45	225	335	341	746	455	450	384	10	40	SB	201	557
TDB58 05/1A4B	45	225	405	341	746	455	450	384	10	40	SB	217	573
TDB58 05/2A3B	45	225	405	341	746	455	450	384	10	40	SB	217	573
TDB58 05/3A2B	55	250	405	371	825	486	550	402	10	40	SB	227	640
TDB58 05/4A1B	55	250	405	371	825	486	550	402	10	40	SB	227	640
TDB58 05/5A	55	250	405	371	825	486	550	402	10	40	SB	227	640
TDB58 06/2A4B	55	250	475	371	825	486	550	402	10	40	SB	244	657
TDB58 06/3A3B	55	250	475	371	825	486	550	402	10	40	SB	244	657
TDB58 06/4A2B	75	280	475	371	931	599	550	472	10	40	SB	244	874
TDB58 06/5A1B	75	280	475	371	931	599	550	472	10	40	SB	244	874
TDB58 06/6A	75	280	475	371	931	599	550	472	10	40	SB	244	874
TDB58 07/3A4B	75	280	545	371	931	599	550	472	10	40	SB	260	890
TDB58 07/4A3B	75	280	545	371	931	599	550	472	10	40/63	SB	260	890
TDB58 07/5A2B	75	280	545	371	931	599	550	472	10	40/63	SB	260	890
TDB58 07/6A1B	75	280	545	371	931	599	550	472	10	40/63	SB	260	890
TDB58 07/7A	75	280	545	371	931	599	550	472	10	40/63	SB	260	890
TDB58 08/4A4B	75	280	615	371	931	599	550	472	10	40/63	SB	277	907
TDB58 08/5A3B	90	280	615	371	931	599	550	472	10	40/63	SB	277	930
TDB58 08/6A2B	90	280	615	371	931	599	550	472	10	63	SB	277	930
TDB58 08/7A1B	90	280	615	371	931	599	550	472	10	63	SB	277	930
TDB58 08/8A	90	280	615	371	931	599	550	472	10	63	SB	277	930
TDB58 09/5A4B	90	280	685	371	931	599	550	472	10	63	SB	293	946
TDB58 09/6A3B	90	280	685	371	931	599	550	472	10	63	SB	293	946
TDB58 09/7A2B	90	280	685	371	931	599	550	472	10	63	SB	293	946

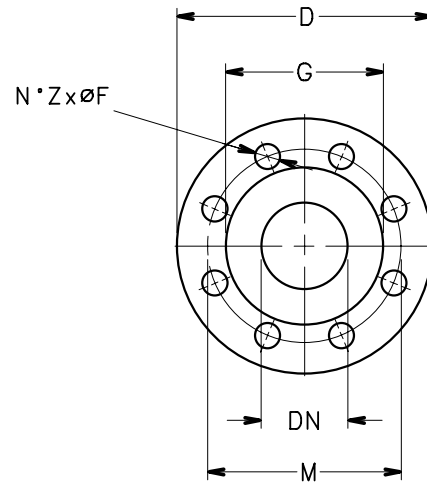
Weights refer to Version F (Cast Iron)

tdb58-2p50-en_b_td

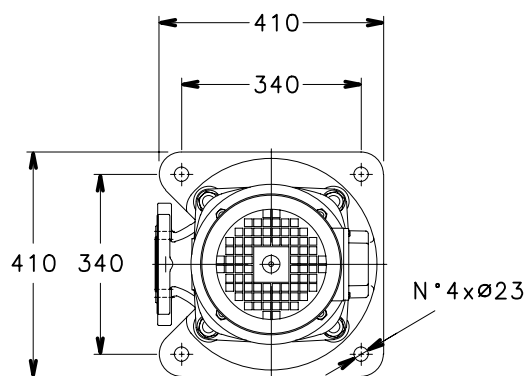
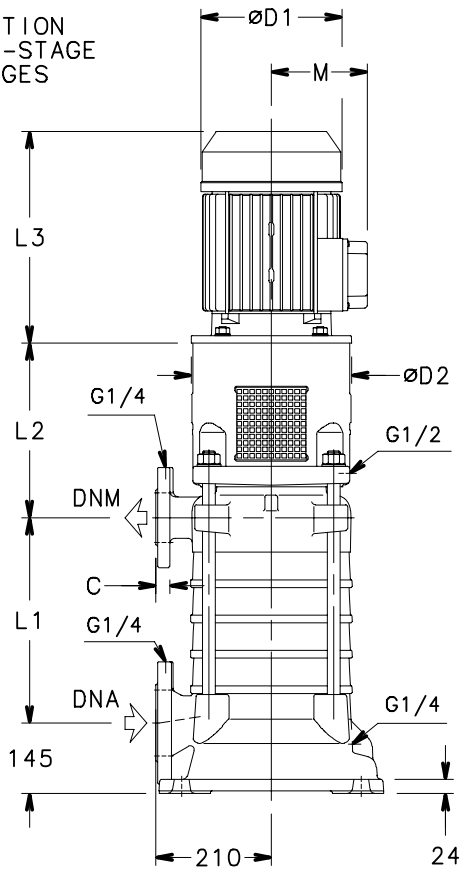
TDB78 SERIES
DIMENSIONS AND WEIGHTS AT 50 Hz, 2 POLES

PUMP FLANGES

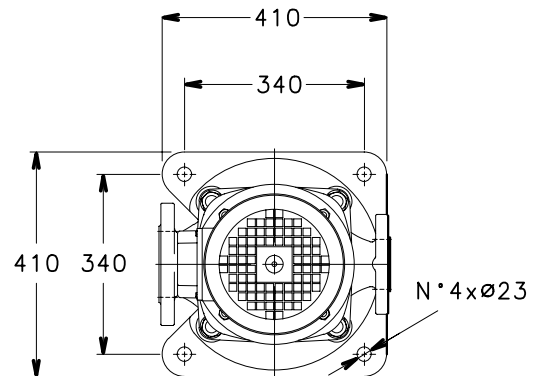
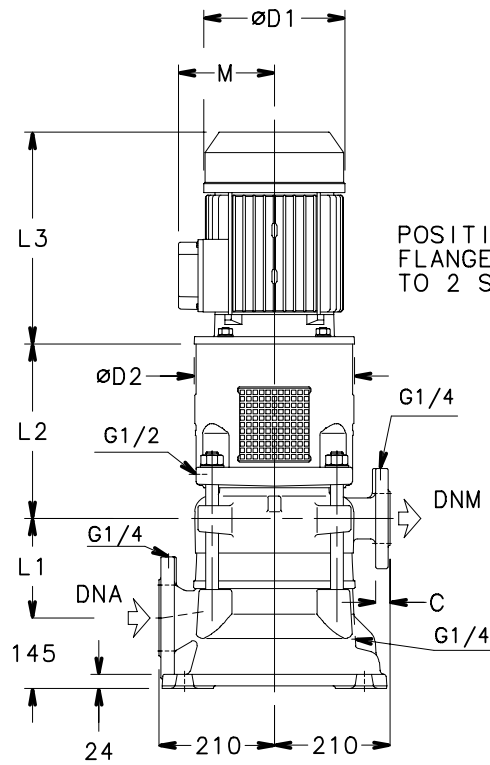
DN	PN	D	M	G	Z	F	C
DNM 65	10/16	191	145	118	4	19	24
	25/40	191	145	118	8	19	24
	63	205	160	118	8	23	28
DNA 100	10/16	235	180	156	8	19	27
	25(*)	235	190	156	8	23	27
(*) ON REQUEST							



POSITION OF 3-STAGE FLANGES



POSITION OF FLANGES UP TO 2 STAGES



05401-EN_A_DD

TDB78 SERIES

DIMENSIONS AND WEIGHTS AT 50 Hz, 2 POLES

PUMP TYPE	MOTOR		DIMENSIONS (mm)						PN FLANGES		MECH. SEAL TYPE	WEIGHT kg	
	kW	SIZE	L1	L2	L3	D1	D2	M	DNA	DNM		PUMP	ELECTRIC
TDB78 01/1C	7,5	132	125	311	367	256	300	191	10	16	SA	133	189
TDB78 01/1B	11	160R	125	341	428	256	350	191	10	16	SA	143	213
TDB78 01/1A	15	160	125	341	494	313	350	240	10	16	SA	143	245
TDB78 02/1B1C	18,5	160	195	341	494	313	350	240	10	16	SA	160	271
TDB78 02/2B	22	180R	195	341	494	313	350	240	10	16	SA	160	281
TDB78 02/1A1B	30	200	195	341	657	402	400	317	10	16	SA	163	389
TDB78 02/2A	37	200	195	341	657	402	400	317	10	16	SA	163	418
TDB78 03/3B	37	200	265	341	657	402	400	317	10	16/40	SA/SB	179	434
TDB78 03/1A2B	37	200	265	341	657	402	400	317	10	16/40	SA/SB	179	434
TDB78 03/2A1B	45	225	265	341	746	455	450	384	10	16/40	SA/SB	184	540
TDB78 03/3A	55	250	265	371	825	486	550	402	10	40	SB	194	607
TDB78 04/1A3B	55	250	335	371	825	486	550	402	10	40	SB	211	624
TDB78 04/2A2B	55	250	335	371	825	486	550	402	10	40	SB	211	624
TDB78 04/3A1B	75	280	335	371	931	599	550	472	10	40	SB	211	841
TDB78 04/4A	75	280	335	371	931	599	550	472	10	40	SB	211	841
TDB78 05/2A3B	75	280	405	371	931	599	550	472	10	40	SB	227	857
TDB78 05/3A2B	75	280	405	371	931	599	550	472	10	40	SB	227	857
TDB78 05/4A1B	75	280	405	371	931	599	550	472	10	40	SB	227	857
TDB78 05/5A	90	280	405	371	931	599	550	472	10	40	SB	227	880
TDB78 06/3A3B	90	280	475	371	931	599	550	472	10	40	SB	244	897
TDB78 06/4A2B	90	280	475	371	931	599	550	472	10	40	SB	244	897
TDB78 06/5A1B	90	280	475	371	931	599	550	472	10	40	SB	244	897

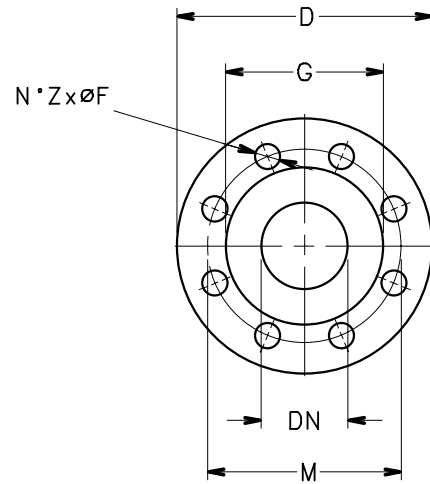
Weights refer to Version F (Cast Iron)

tdb78-2p50-en_b_td

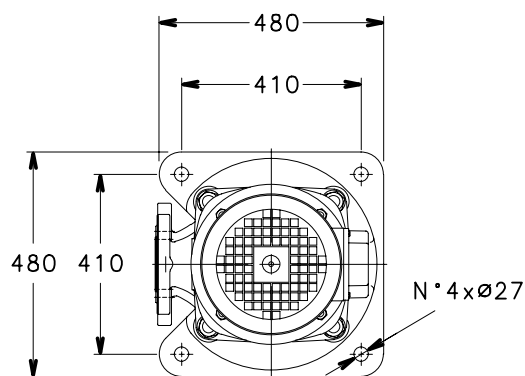
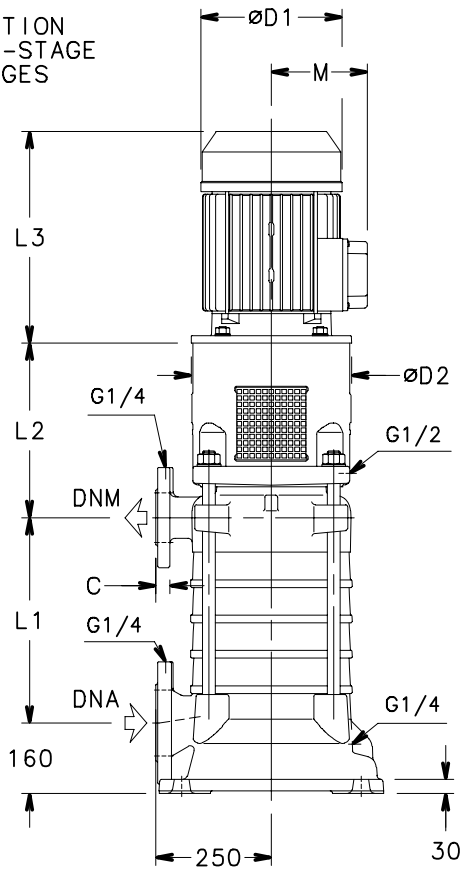
TDB-TDV120 SERIES DIMENSIONS AND WEIGHTS AT 50 Hz, 2 POLES

PUMP FLANGES

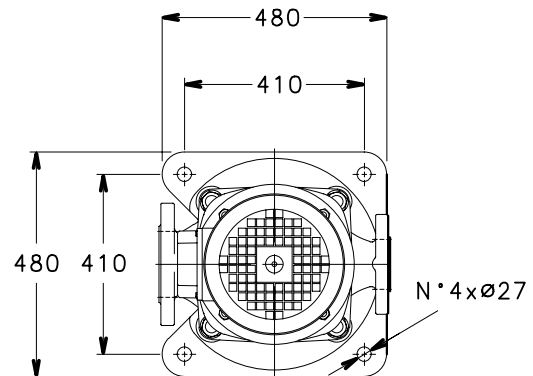
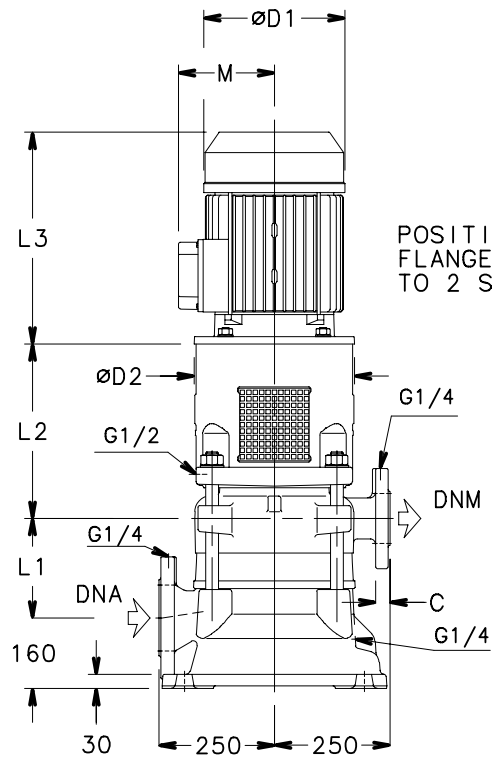
DN	PN	D	M	G	Z	F	C
DNM 100	10/16	235	180	156	8	19	27
	25/40	235	190	156	8	23	27
	63	273	200	156	8	28	32
DNA 125	10/16	279	210	184	8	19	29
	25(*)	279	220	184	8	28	29
(*) ON REQUEST							



POSITION OF 3-STAGE FLANGES



POSITION OF FLANGES UP TO 2 STAGES



TDB-TDV120 SERIES

DIMENSIONS AND WEIGHTS AT 50 Hz, 2 POLES

PUMP TYPE	MOTOR		DIMENSIONS (mm)						PN FLANGES		MECH. SEAL TYPE	WEIGHT kg	
	kW	SIZE	L1	L2	L3	D1	D2	M	DNA	DNM		PUMP	ELECTRIC
TDB120 01/1C	22	180R	175	371	494	313	350	240	10	16	SA	270	391
TDB120 01/1B	30	200	175	371	657	402	400	317	10	16	SA	271	497
TDB120 01/1A	37	200	175	371	657	402	400	317	10	16	SA	271	526
TDB120 02/2C	45	225	260	371	746	455	450	384	10	16	SA	304	660
TDB120 02/1B1C	55	250	260	401	825	486	550	402	10	16/40	SA/SB	311	724
TDB120 02/2B	55	250	260	401	825	486	550	402	10	16/40	SA/SB	311	724
TDB120 02/1A1B	75	280	260	401	931	599	550	472	10	16/40	SA/SB	311	941
TDB120 02/2A	75	280	260	401	931	599	550	472	10	40	SA/SB	311	941
TDB120 03/1B2C	75	280	345	401	931	599	550	472	10	40	SB	343	973
TDB120 03/2B1C	75	280	345	401	931	599	550	472	10	40	SB	343	973
TDB120 03/3B	90	280	345	401	931	599	550	472	10	40	SB	343	996
TDB120 03/1A2B	90	280	345	401	931	599	550	472	10	40	SB	343	996
TDV120 03/2A1B	110	315	345	514	1104	657	660	530	10	40	SB	394	1268
TDV120 03/3A	110	315	345	514	1104	657	660	530	10	40	SB	394	1268
TDV120 04/4B	110	315	430	514	1104	657	660	530	10	40	SB	426	1300
TDV120 04/1A3B	132	315	430	514	1104	657	660	530	10	40	SB	426	1357
TDV120 04/2A2B	132	315	430	514	1104	657	660	530	10	40	SB	426	1357
TDV120 04/3A1B	160	315	430	514	1104	657	660	530	10	40	SB	431	1426
TDV120 04/4A	160	315	430	514	1104	657	660	530	10	40	SB	431	1426
TDV120 05/1A4B	160	315	515	514	1104	657	660	530	10	40/63	SB	463	1458
TDV120 05/2A3B	160	315	515	514	1104	657	660	530	10	40/63	SB	463	1458
TDV120 05/3A2B	160	315	515	514	1104	657	660	530	10	40/63	SB	463	1458
TDV120 05/4A1B	200	315	515	514	1104	657	660	530	10	63	SB	463	1638
TDV120 05/5A	200	315	515	514	1104	657	660	530	10	63	SB	463	1638
TDV120 06/2A4B	200	315	600	514	1104	657	660	530	10	63	SB	495	1670
TDV120 06/3A3B	200	315	600	514	1104	657	660	530	10	63	SB	495	1670
TDV120 06/4A2B	200	315	600	514	1104	657	660	530	10	63	SB	495	1670
TDV120 06/5A1B	200	315	600	514	1104	657	660	530	10	63	SB	495	1670
TDV120 06/6A	200	315	600	514	1104	657	660	530	10	63	SB	495	1670

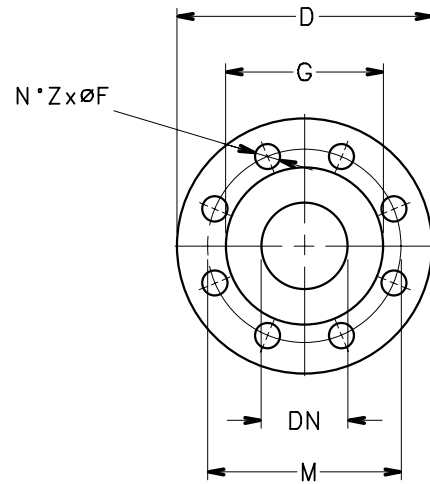
Weights refer to Version F (Cast Iron)

tdb-tdv120-2p50-en_d_td

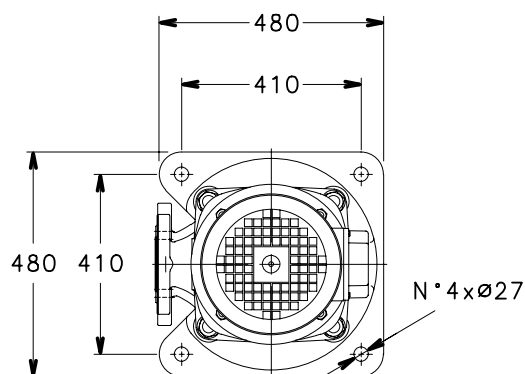
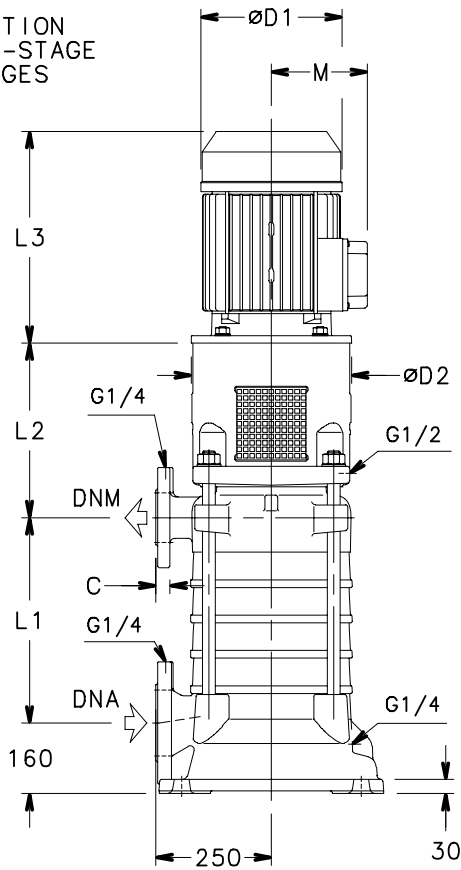
TDB-TDV170 SERIES DIMENSIONS AND WEIGHTS AT 50 Hz, 2 POLES

PUMP FLANGES

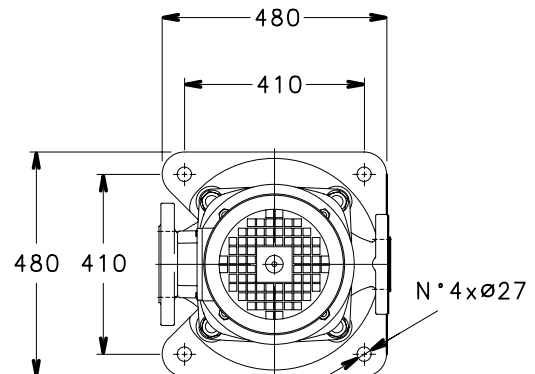
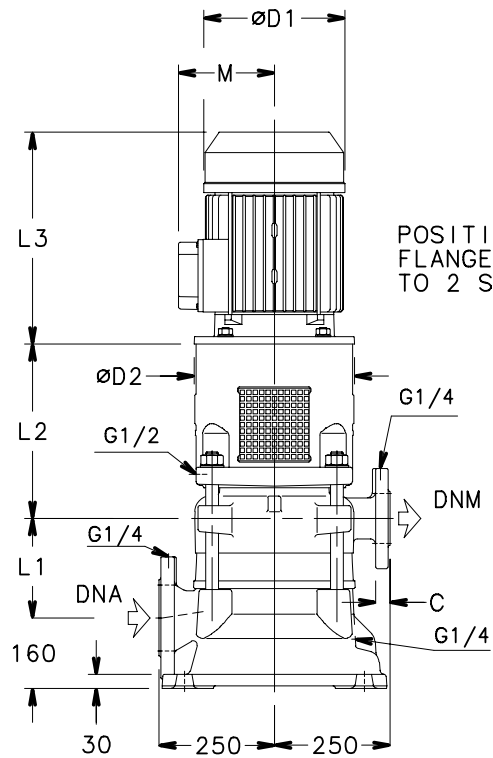
DN	PN	D	M	G	Z	F	C
DNM 100	10/16	235	180	156	8	19	27
	25/40	235	190	156	8	23	27
	63	273	200	156	8	28	32
DNA 125	10/16	279	210	184	8	19	29
	25(*)	279	220	184	8	28	29
(*) ON REQUEST							



POSITION OF 3-STAGE FLANGES



POSITION OF FLANGES UP TO 2 STAGES



TDB-TDV170 SERIES

DIMENSIONS AND WEIGHTS AT 50 Hz, 2 POLES

PUMP TYPE	MOTOR		DIMENSIONS (mm)						PN FLANGES		MECH. SEAL TYPE	WEIGHT kg	
	kW	SIZE	L1	L2	L3	D1	D2	M	DNA	DNM		PUMP	ELECTRIC
TDB170 01/1C	30	200	175	371	657	402	400	317	10	16	SA	271	497
TDB170 01/1B	37	200	175	371	657	402	400	317	10	16	SA	271	526
TDB170 01/1A	45	225	175	371	746	455	450	384	10	16	SA	272	628
TDB170 01/1A	55	250	175	401	825	486	550	402	10	16	SA	279	692
TDB170 02/2C	55	250	260	401	825	486	550	402	10	16/40	SA/SB	311	724
TDB170 02/1B1C	55	250	260	401	825	486	550	402	10	16/40	SA/SB	311	724
TDB170 02/2B	75	280	260	401	931	599	550	472	10	16/40	SA/SB	311	941
TDB170 02/1A1B	90	280	260	401	931	599	550	472	10	16/40	SA/SB	311	964
TDV170 02/2A	110	315	260	514	1104	657	660	530	10	40	SA/SB	362	1236
TDV170 03/2B1C	110	315	345	514	1104	657	660	530	10	40	SB	394	1268
TDV170 03/3B	110	315	345	514	1104	657	660	530	10	40	SB	394	1268
TDV170 03/1A2B	110	315	345	514	1104	657	660	530	10	40	SB	394	1268
TDV170 03/2A1B	132	315	345	514	1104	657	660	530	10	40	SB	394	1325
TDV170 03/3A	160	315	345	514	1104	657	660	530	10	40	SB	399	1394
TDV170 04/1A3B	160	315	430	514	1104	657	660	530	10	40	SB	431	1426
TDV170 04/2A2B	160	315	430	514	1104	657	660	530	10	40	SB	431	1426
TDV170 04/3A1B	200	315	430	514	1104	657	660	530	10	40	SB	431	1606
TDV170 04/4A	200	315	430	514	1104	657	660	530	10	40/63	SB	431	1606
TDV170 05/2A3B	200	315	515	514	1104	657	660	530	10	40/63	SB	463	1638
TDV170 05/3A2B	200	315	515	514	1104	657	660	530	10	40/63	SB	463	1638

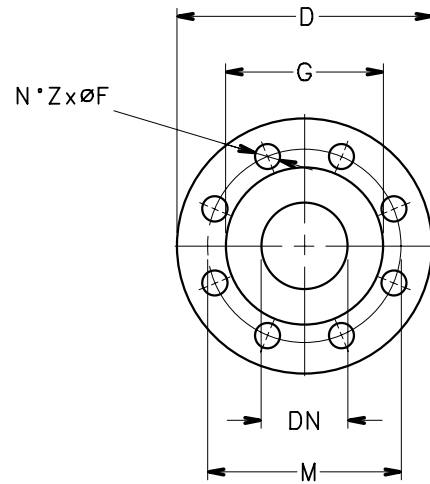
Weights refer to Version F (Cast Iron)

tdb-tdv170-2p50-en_c_td

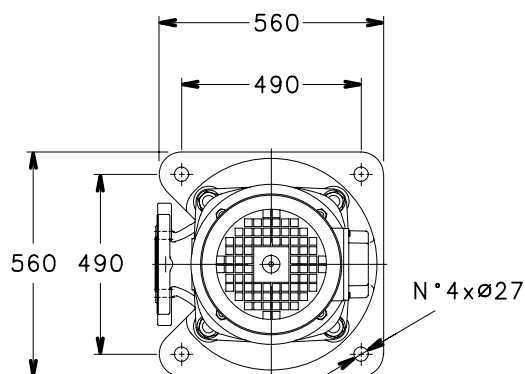
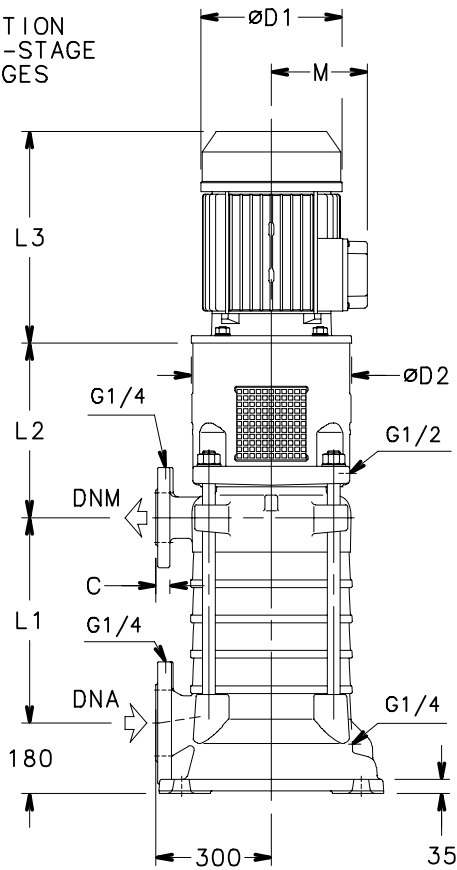
TDV220 SERIES DIMENSIONS AND WEIGHTS AT 50 Hz, 2 POLES

PUMP FLANGES

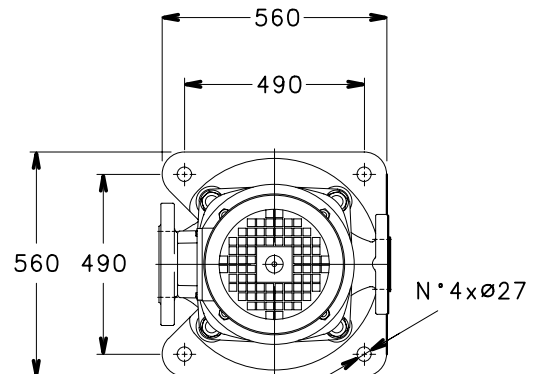
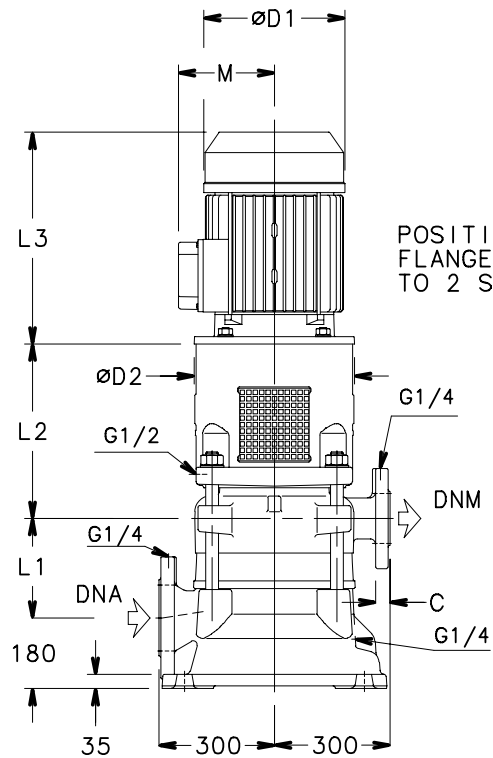
DN	PN	D	M	G	Z	F	C
DNM 125	10/16	279	210	184	8	19	29
	25/40	279	220	184	8	28	29
	63	330	240	184	8	31	35
DNA 150	10/16	300	240	211	8	23	32
	25(*)	300	250	211	8	28	32
(*) ON REQUEST							



POSITION OF 3-STAGE FLANGES



POSITION OF FLANGES UP TO 2 STAGES



TDV220 SERIES DIMENSIONS AND WEIGHTS AT 50 Hz, 2 POLES

PUMP TYPE	MOTOR		DIMENSIONS (mm)						PN FLANGES		MECH. SEAL TYPE	WEIGHT kg	
	kW	SIZE	L1	L2	L3	D1	D2	M	DNA	DNM		PUMP	ELECTRIC
TDV220 01/1D	45	225	220	597	746	455	450	384	10	16	SA	471	827
TDV220 01/1C	55	250	220	597	825	486	550	402	10	16	SA	479	892
TDV220 01/1B	75	280	220	597	931	599	550	472	10	16	SA	481	1111
TDV220 01/1A	90	280	220	597	931	599	550	472	10	16/40	SA	481	1134
TDV220 02/1C1D	90	280	325	597	931	599	550	472	10	16/40	SA/SB	534	1187
TDV220 02/2C	90	280	325	597	931	599	550	472	10	16/40	SA/SB	534	1187
TDV220 02/1B1C	110	315	325	597	1104	657	660	530	10	40	SA/SB	544	1418
TDV220 02/2B	132	315	325	597	1104	657	660	530	10	40	SA/SB	544	1475
TDV220 02/1A1B	160	315	325	597	1104	657	660	530	10	40	SB	549	1544
TDV220 02/2A	160	315	325	597	1104	657	660	530	10	40	SB	549	1544
TDV220 03/1B2C	160	315	430	597	1104	657	660	530	10	40	SB	602	1597
TDV220 03/2B1C	160	315	430	597	1104	657	660	530	10	40	SB	602	1597
TDV220 03/3B	200	315	430	597	1104	657	660	530	10	40	SB	602	1777
TDV220 03/1A2B	200	315	430	597	1104	657	660	530	10	40	SB	602	1777
TDV220 03/2A1B	250	355	430	597	1272	736	800	625	10	40/63	SB	651	2285
TDV220 03/3A	250	355	430	597	1272	736	800	625	10	40/63	SB	651	2285
TDV220 04/4B	250	355	535	597	1272	736	800	625	10	40/63	SB	704	2338
TDV220 04/1A3B	250	355	535	597	1272	736	800	625	10	63	SB	704	2338
TDV220 04/2A2B	315	355	535	597	1272	736	800	625	10	63	SB	704	2481
TDV220 04/3A1B	315	355	535	597	1272	736	800	625	10	63	SB	704	2481
TDV220 04/4A	315	355	535	597	1272	736	800	625	10	63	SB	704	2481
TDV220 05/1A4B	355	355	640	597	1272	736	800	625	10	63	SB	762	2600
TDV220 05/2A3B	355	355	640	597	1272	736	800	625	10	63	SB	762	2600
TDV220 05/3A2B	355	355	640	597	1272	736	800	625	10	63	SB	762	2600

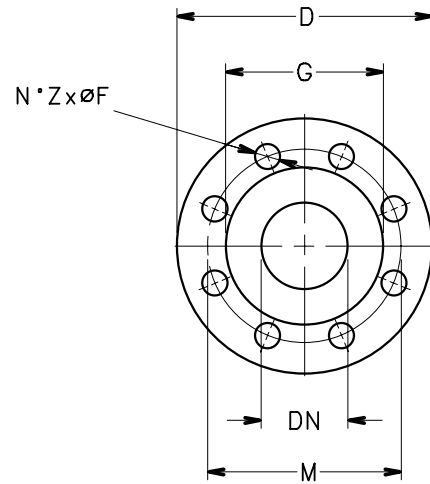
Weights refer to Version F (Cast Iron)

tdv220-2p50-en_c_td

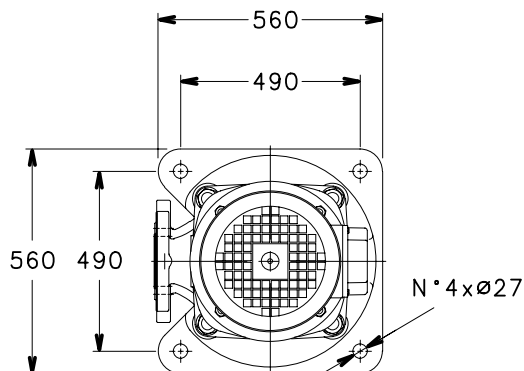
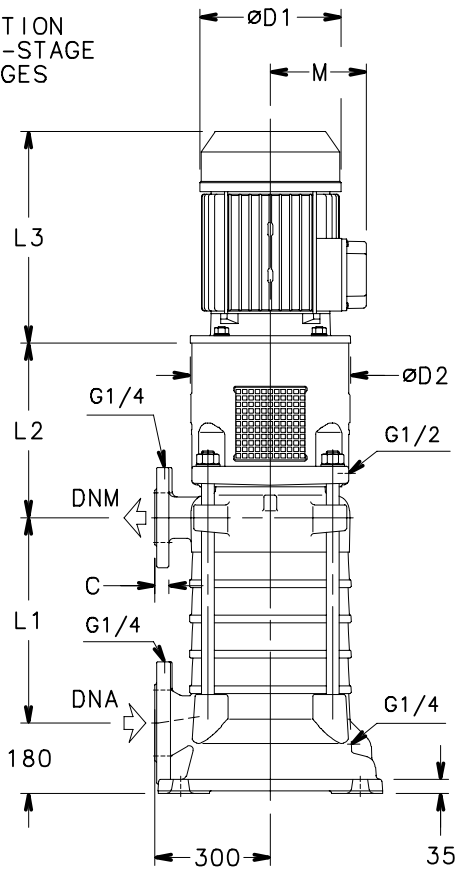
TDV280 SERIES DIMENSIONS AND WEIGHTS AT 50 Hz, 2 POLES

PUMP FLANGES

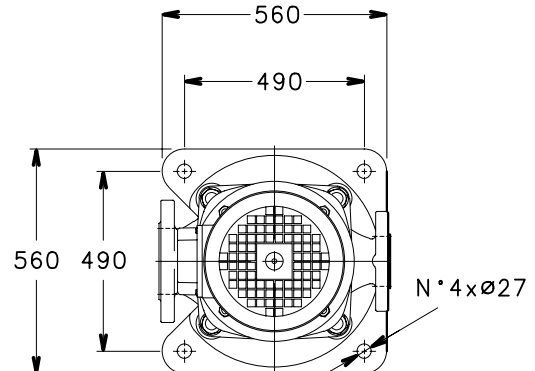
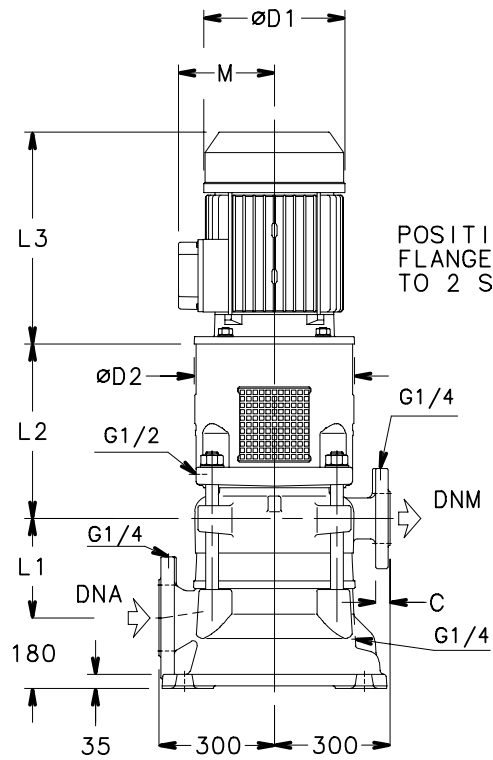
DN	PN	D	M	G	Z	F	C
DNM 125	10/16	279	210	184	8	19	29
	25/40	279	220	184	8	28	29
	63	330	240	184	8	31	35
DNA 150	10/16	300	240	211	8	23	32
	25(*)	300	250	211	8	28	32
(*) ON REQUEST							



POSITION OF 3-STAGE FLANGES



POSITION OF FLANGES UP TO 2 STAGES



TDV280 SERIES DIMENSIONS AND WEIGHTS AT 50 Hz, 2 POLES

PUMP TYPE	MOTOR		DIMENSIONS (mm)						PN FLANGES		MECH. SEAL TYPE	WEIGHT kg	
	kW	SIZE	L1	L2	L3	D1	D2	M	DNA	DNM		PUMP	ELECTRIC
TDV280 01/1D	45	225	220	597	746	455	450	384	10	16	SA	471	827
TDV280 01/1C	55	250	220	597	825	486	550	402	10	16	SA	479	892
TDV280 01/1B	75	280	220	597	931	599	550	472	10	16	SA	481	1111
TDV280 01/1A	90	280	220	597	931	599	550	472	10	16/40	SA	481	1134
TDV280 02/1C1D	90	280	325	597	931	599	550	472	10	16/40	SA/SB	534	1187
TDV280 02/2C	110	315	325	597	1104	657	660	530	10	16/40	SA/SB	544	1418
TDV280 02/1B1C	110	315	325	597	1104	657	660	530	10	40	SA/SB	544	1418
TDV280 02/2B	132	315	325	597	1104	657	660	530	10	40	SA/SB	544	1475
TDV280 02/1A1B	160	315	325	597	1104	657	660	530	10	40	SB	549	1544
TDV280 02/2A	200	315	325	597	1104	657	660	530	10	40	SB	549	1724
TDV280 03/2B1C	200	315	430	597	1104	657	660	530	10	40	SB	602	1777
TDV280 03/3B	200	315	430	597	1104	657	660	530	10	40	SB	602	1777
TDV280 03/1A2B	250	355	430	597	1272	736	800	625	10	40	SB	651	2285
TDV280 03/2A1B	250	355	430	597	1272	736	800	625	10	40	SB	651	2285
TDV280 03/3A	315	355	430	597	1272	736	800	625	10	40/63	SB	651	2428
TDV280 04/4B	315	355	535	597	1272	736	800	625	10	40/63	SB	704	2481
TDV280 04/1A3B	315	355	535	597	1272	736	800	625	10	40/63	SB	704	2481
TDV280 04/2A2B	315	355	535	597	1272	736	800	625	10	63	SB	704	2481
TDV280 04/3A1B	355	355	535	597	1272	736	800	625	10	63	SB	709	2547
TDV280 04/4A	355	355	535	597	1272	736	800	625	10	63	SB	709	2547
TDV280 05/1A4B	355	355	640	597	1272	736	800	625	10	63	SB	762	2600
TDV280 05/2A3B	355	355	640	597	1272	736	800	625	10	63	SB	762	2600

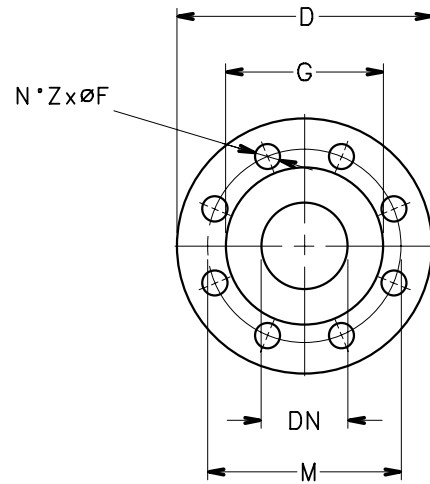
Weights refer to Version F (Cast Iron)

tdv280-2p50-en_b_td

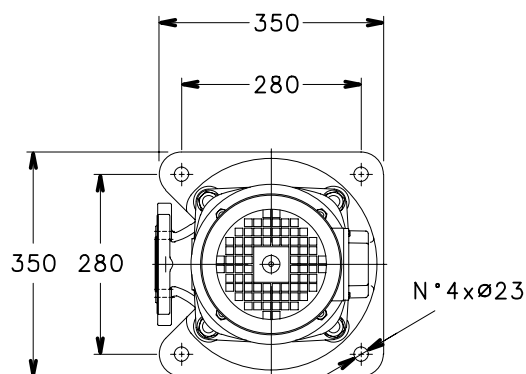
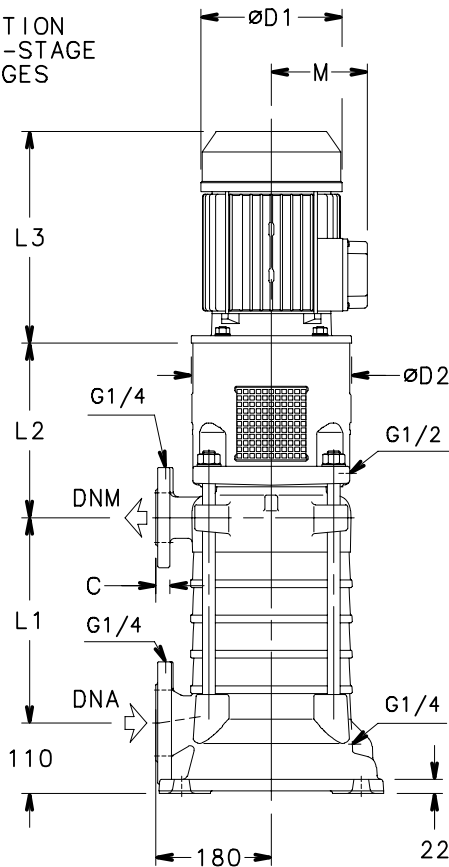
TDB22..4 - TDB35..4 SERIES DIMENSIONS AND WEIGHTS AT 50 Hz, 4 POLES

PUMP FLANGES

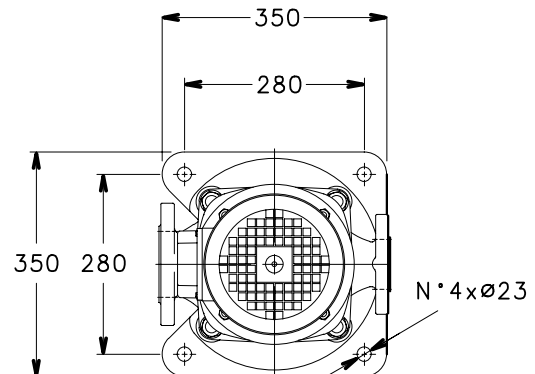
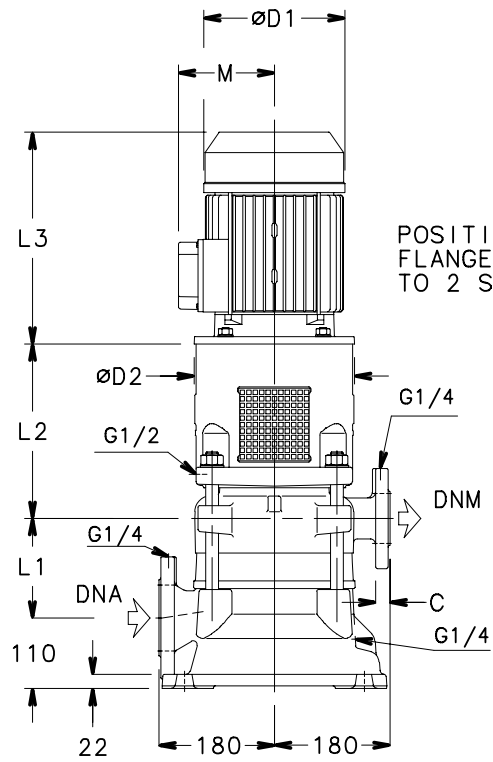
DN	PN	D	M	G	Z	F	C
DNM 40	10/16	156	110	84	4	19	22
	25/40	156	110	84	4	19	22
	63	178	125	84	4	23	28
DNA 65	10/16	191	145	118	4	19	24
	25(*)	191	145	118	8	19	24
	(*) ON REQUEST						



POSITION OF 3-STAGE FLANGES



POSITION OF FLANGES UP TO 2 STAGES



TDB22..4 SERIES DIMENSIONS AND WEIGHTS AT 50 Hz, 4 POLES

PUMP TYPE	MOTOR		DIMENSIONS (mm)						PN FLANGES		MECH. SEAL TYPE	WEIGHT kg	
	kW	SIZE	L1	L2	L3	D1	D2	M	DNA	DNM		PUMP	ELECTRIC PUMP
TDB22 01/1A..4	1,1	90	100	262	298	174	200	134	10	40	SA	91	111
TDB22 02/2A..4	1,1	90	155	262	298	174	200	134	10	40	SA	101	121
TDB22 03/3A..4	1,5	90	210	262	298	174	200	134	10	40	SA	112	135
TDB22 04/4A..4	2,2	100	265	272	322	214	250	168	10	40	SA	122	150
TDB22 05/5A..4	3	100	320	272	353	214	250	168	10	40	SA	133	169
TDB22 06/6A..4	3	100	375	272	353	214	250	168	10	40	SA	143	179
TDB22 07/7A..4	4	112	430	272	398	214	250	168	10	40	SA	154	212
TDB22 08/8A..4	5,5	132	485	292	405	256	300	191	10	40	SA	167	230
TDB22 09/9A..4	5,5	132	540	292	405	256	300	191	10	40	SA	177	240
TDB22 10/10A..4	5,5	132	595	292	405	256	300	191	10	40	SA	188	251
TDB22 11/11A..4	7,5	132	650	292	405	256	300	191	10	40	SA	198	265
TDB22 12/12A..4	7,5	132	705	292	405	256	300	191	10	40	SA	209	276
TDB22 13/13A..4	7,5	132	760	292	405	256	300	191	10	40	SA	219	286
TDB22 14/14A..4	7,5	132	815	292	405	256	300	191	10	40	SA	230	297
TDB22 15/15A..4	11	160	870	322	494	313	350	240	10	40	SA	248	374
TDB22 16/16A..4	11	160	925	322	494	313	350	240	10	40	SA	258	384
TDB22 17/17A..4	11	160	980	322	494	313	350	240	10	40	SB	269	395
TDB22 18/18A..4	11	160	1035	322	494	313	350	240	10	40	SB	279	405

Weights refer to Version F (Cast Iron)

tdb22-4p50-en_b_td

TDB35..4 SERIES DIMENSIONS AND WEIGHTS AT 50 Hz, 4 POLES

PUMP TYPE	MOTOR		DIMENSIONS (mm)						PN FLANGES		MECH. SEAL TYPE	WEIGHT kg	
	kW	SIZE	L1	L2	L3	D1	D2	M	DNA	DNM		PUMP	ELECTRIC PUMP
TDB35 01/1A..4	1,1	90	100	262	298	174	200	134	10	40	SA	91	111
TDB35 02/2A..4	1,5	90	155	262	298	174	200	134	10	40	SA	101	124
TDB35 03/3A..4	2,2	100	210	272	322	214	250	168	10	40	SA	112	140
TDB35 04/4A..4	3	100	265	272	353	214	250	168	10	40	SA	122	158
TDB35 05/5A..4	4	112	320	272	398	214	250	168	10	40	SA	133	191
TDB35 06/6A..4	4	112	375	272	398	214	250	169	10	40	SA	143	201
TDB35 07/7A..4	5,5	132	430	292	405	256	300	191	10	40	SA	156	219
TDB35 08/8A..4	5,5	132	485	292	405	256	300	191	10	40	SA	167	230
TDB35 09/9A..4	7,5	132	540	292	405	256	300	191	10	40	SA	177	244
TDB35 10/10A..4	7,5	132	595	292	405	256	300	191	10	40	SA	188	255
TDB35 11/11A..4	7,5	132	650	292	405	256	300	191	10	40	SA	198	265
TDB35 12/12A..4	11	160	705	322	494	313	350	240	10	40	SA	216	342
TDB35 13/13A..4	11	160	760	322	494	313	350	240	10	40	SA	227	353
TDB35 14/14A..4	11	160	815	322	494	313	350	240	10	40	SA	237	363
TDB35 15/15A..4	11	160	870	322	494	313	350	240	10	40	SA	248	374
TDB35 16/16A..4	11	160	925	322	494	313	350	240	10	40	SA	258	384
TDB35 17/17A..4	15	160	980	322	494	313	350	240	10	40	SB	269	398
TDB35 18/18A..4	15	160	1035	322	494	313	350	240	10	40	SB	279	408

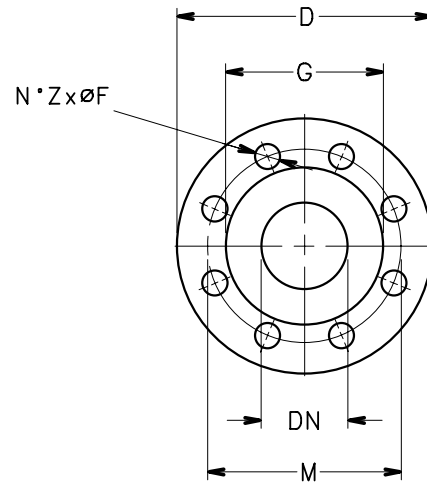
Weights refer to Version F (Cast Iron)

tdb35-4p50-en_b_td

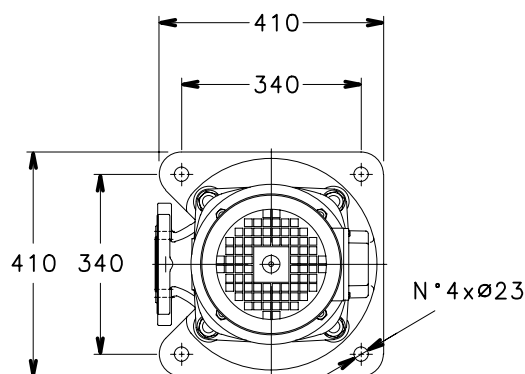
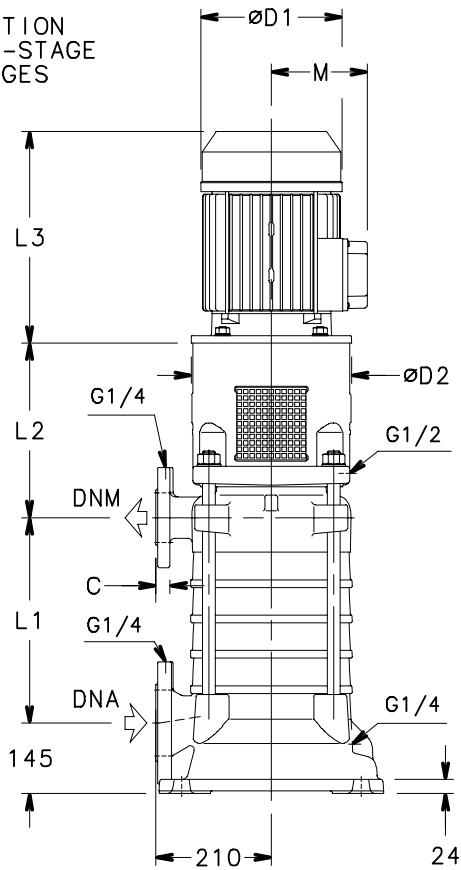
TDB58..4 - TDB78..4 SERIES
DIMENSIONS AND WEIGHTS AT 50 Hz, 4 POLES

PUMP FLANGES

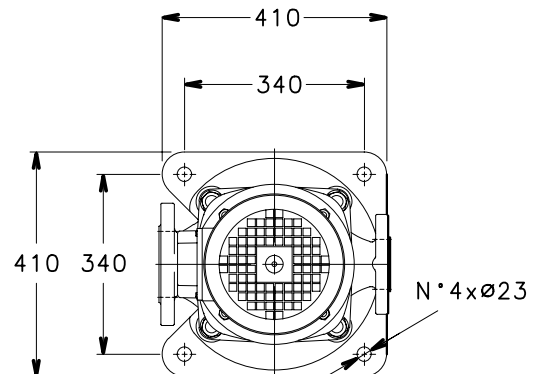
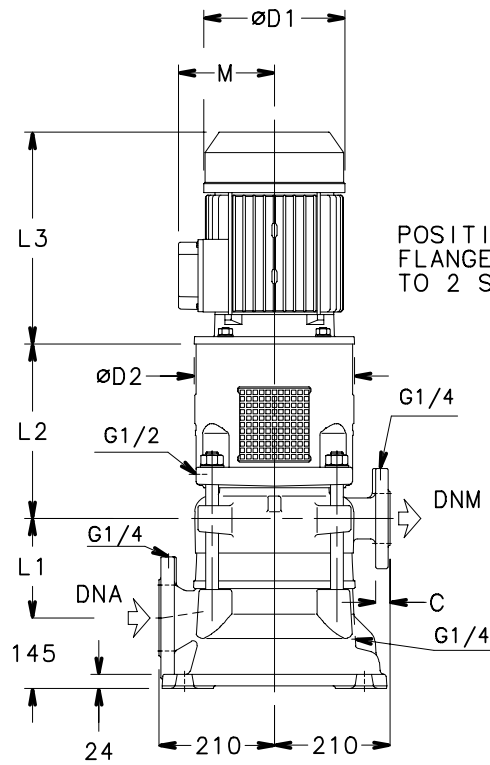
DN	PN	D	M	G	Z	F	C
DNM 65	10/16	191	145	118	4	19	24
	25/40	191	145	118	8	19	24
	63	205	160	118	8	23	28
DNA 100	10/16	235	180	156	8	19	27
	25(*)	235	190	156	8	23	27
	(*) ON REQUEST						



POSITION OF 3-STAGE FLANGES



POSITION OF FLANGES UP TO 2 STAGES



TDB58..4 SERIES

DIMENSIONS AND WEIGHTS AT 50 Hz, 4 POLES

PUMP TYPE	MOTOR		DIMENSIONS (mm)						PN FLANGES		MECH. SEAL TYPE	WEIGHT kg	
	kW	SIZE	L1	L2	L3	D1	D2	M	DNA	DNM		PUMP	ELECTRIC
TDB58 01/1A..4	2,2	100	125	291	322	214	250	168	10	16	SA	130	158
TDB58 02/2A..4	3	100	195	291	353	214	250	168	10	16	SA	147	183
TDB58 03/3A..4	4	112	265	291	398	214	250	168	10	16	SA	163	221
TDB58 04/4A..4	5,5	132	335	311	405	256	300	191	10	16	SA	183	246
TDB58 05/5A..4	7,5	132	405	311	405	256	300	191	10	16	SA	199	266
TDB58 06/6A..4	11	160	475	341	494	313	350	240	10	16	SA	226	352
TDB58 07/7A..4	11	160	545	341	494	313	350	240	10	16	SA	242	368
TDB58 08/8A..4	11	160	615	341	494	313	350	240	10	16	SA	259	385
TDB58 09/9A..4	15	160	685	341	494	313	350	240	10	16	SA	275	404
TDB58 10/10A..4	15	160	755	341	494	313	350	240	10	16	SA	292	421
TDB58 11/11A..4	15	160	825	341	494	313	350	240	10	16	SA	308	437
TDB58 12/12A..4	18,5	180	895	341	554	360	350	279	10	40	SB	325	489
TDB58 13/13A..4	18,5	180	965	341	554	360	350	279	10	40	SB	341	505
TDB58 14/14A..4	22	180	1035	341	592	360	350	279	10	40	SB	358	544

Weights refer to Version F (Cast Iron)

tdb58-4p50-en_b_td

TDB78..4 SERIES

DIMENSIONS AND WEIGHTS AT 50 Hz, 4 POLES

PUMP TYPE	MOTOR		DIMENSIONS (mm)						PN FLANGES		MECH. SEAL TYPE	WEIGHT kg	
	kW	SIZE	L1	L2	L3	D1	D2	M	DNA	DNM		PUMP	ELECTRIC
TDB78 01/1A..4	2,2	100	125	291	322	214	250	168	10	16	SA	130	158
TDB78 02/2A..4	4	112	195	291	398	214	250	168	10	16	SA	147	205
TDB78 03/3A..4	7,5	132	265	311	405	256	300	191	10	16	SA	166	233
TDB78 04/4A..4	11	160	335	341	494	313	350	240	10	16	SA	193	319
TDB78 05/5A..4	11	160	405	341	494	313	350	240	10	16	SA	209	335
TDB78 06/6A..4	15	160	475	341	494	313	350	240	10	16	SA	226	355
TDB78 07/7A..4	15	160	545	341	494	313	350	240	10	16	SA	242	371
TDB78 08/8A..4	18,5	180	615	341	554	360	350	279	10	16	SA	259	423
TDB78 09/9A..4	18,5	180	685	341	554	360	350	279	10	16	SA	275	439
TDB78 10/10A..4	22	180	755	341	592	360	350	279	10	16	SA	292	478
TDB78 11/11A..4	22	180	825	341	592	360	350	279	10	40	SB	308	494
TDB78 12/12A..4	30	200	895	341	657	402	400	317	10	40	SB	328	550
TDB78 13/13A..4	30	200	965	341	657	402	400	317	10	40	SB	344	566
TDB78 14/14A..4	30	200	1035	341	657	402	400	317	10	40	SB	361	583

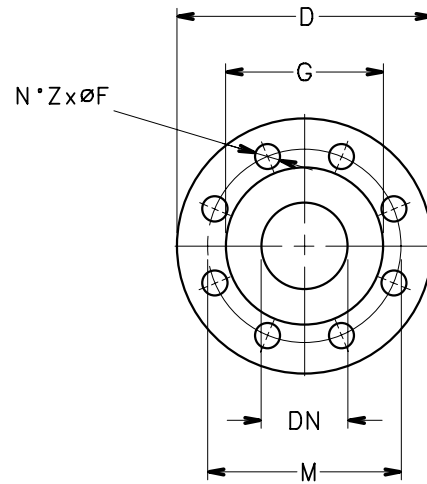
Weights refer to Version F (Cast Iron)

tdb78-4p50-en_b_td

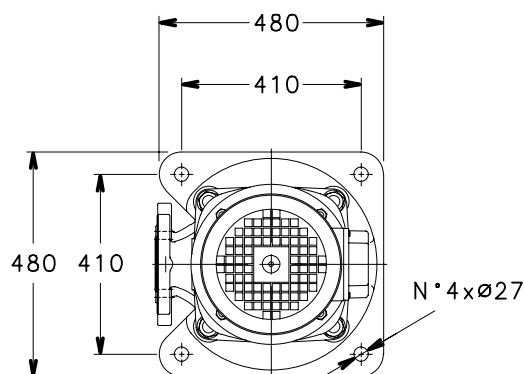
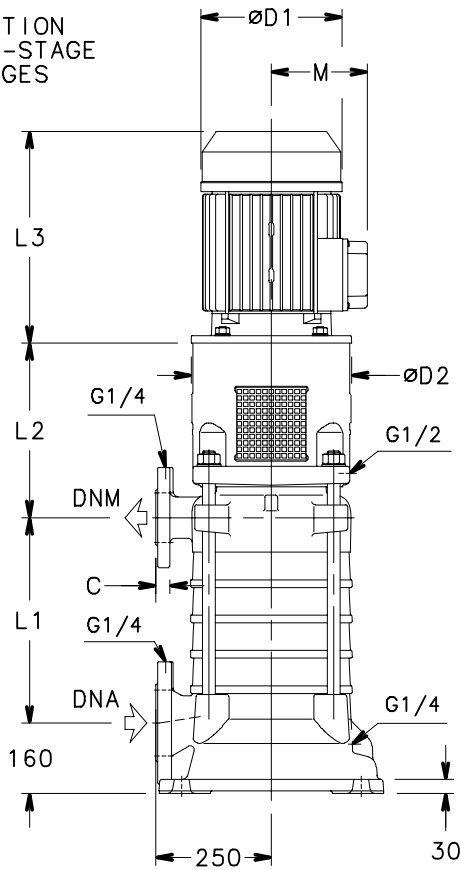
TDB120..4 - TDV170..4 SERIES
DIMENSIONS AND WEIGHTS AT 50 Hz, 4 POLES

PUMP FLANGES

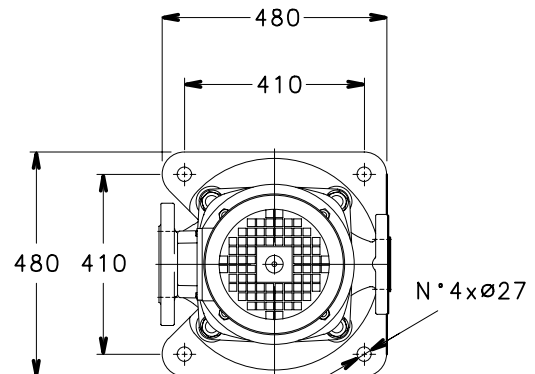
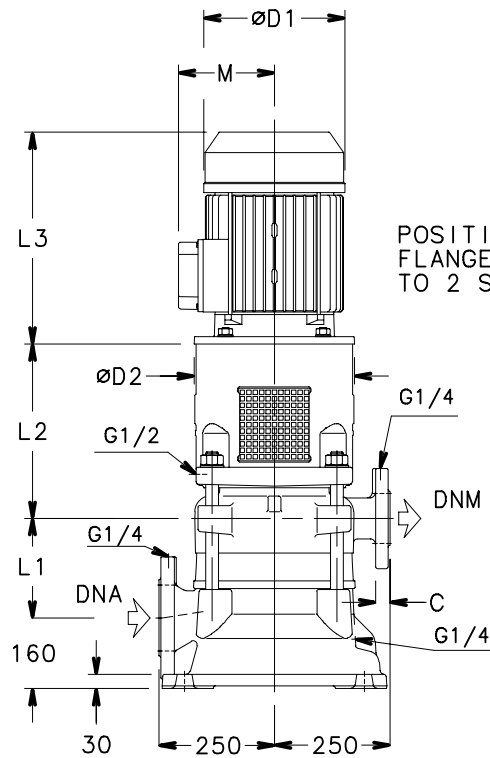
DN	PN	D	M	G	Z	F	C
DNM 100	10/16	235	180	156	8	19	27
	25/40	235	190	156	8	23	27
	63	273	200	156	8	28	32
DNA 125	10/16	279	210	184	8	19	29
	25(*)	279	220	184	8	28	29
(*) ON REQUEST							



POSITION OF 3-STAGE FLANGES



POSITION OF FLANGES UP TO 2 STAGES



TDB120..4 SERIES DIMENSIONS AND WEIGHTS AT 50 Hz, 4 POLES

PUMP TYPE	MOTOR		DIMENSIONS (mm)						PN FLANGES		MECH. SEAL TYPE	WEIGHT kg	
	kW	SIZE	L1	L2	L3	D1	D2	M	DNA	DNM		PUMP	ELECTRIC PUMP
TDB120 01/1C..4	11	160	175	371	494	313	350	240	10	16	SA	270	396
TDB120 01/1B..4	11	160	175	371	494	313	350	240	10	16	SA	270	396
TDB120 01/1A..4	11	160	175	371	494	313	350	240	10	16	SA	270	396
TDB120 02/2B..4	11	160	260	371	494	313	350	240	10	16	SA	302	428
TDB120 02/2A..4	11	160	260	371	494	313	350	240	10	16	SA	302	428
TDB120 03/1A2B..4	15	160	345	371	494	313	350	240	10	16	SA	334	463
TDB120 03/3A..4	15	160	345	371	494	313	350	240	10	16	SA	334	463
TDB120 04/2A2B..4	18,5	180	430	371	554	360	350	279	10	16	SA	366	530
TDB120 04/4A..4	18,5	180	430	371	554	360	350	279	10	16	SA	366	530
TDB120 05/3A2B..4	22	180	515	371	592	360	350	279	10	16	SA	398	584
TDB120 05/5A..4	22	180	515	371	592	360	350	279	10	16	SA	398	584
TDB120 06/4A2B..4	30	200	600	371	657	402	400	317	10	16	SA	431	653
TDB120 06/6A..4	30	200	600	371	657	402	400	317	10	16	SA	431	653
TDB120 07/5A2B..4	30	200	685	371	657	402	400	317	10	16	SA	463	685
TDB120 07/7A..4	37	225	685	401	746	455	450	384	10	16	SA	468	810
TDB120 08/6A2B..4	37	225	770	401	746	455	450	384	10	40	SB	500	842
TDB120 08/8A..4	37	225	770	401	746	455	450	384	10	40	SB	500	842
TDB120 09/7A2B..4	45	225	855	401	746	455	450	384	10	40	SB	532	895
TDB120 09/9A..4	45	225	855	401	746	455	450	384	10	40	SB	532	895
TDB120 10/8A2B..4	45	225	940	401	746	455	450	384	10	40	SB	564	927
TDB120 10/10A..4	45	225	940	401	746	455	450	384	10	40	SB	564	927

Weights refer to Version F (Cast Iron)

tdb120-4p50-en_c_td

TDV170..4 SERIES DIMENSIONS AND WEIGHTS AT 50 Hz, 4 POLES

PUMP TYPE	MOTOR		DIMENSIONS (mm)						PN FLANGES		MECH. SEAL TYPE	WEIGHT kg	
	kW	SIZE	L1	L2	L3	D1	D2	M	DNA	DNM		PUMP	ELECTRIC PUMP
TDB170 01/1C..4	11	160	175	371	494	313	350	240	10	16	SA	270	396
TDB170 01/1B..4	11	160	175	371	494	313	350	240	10	16	SA	270	396
TDB170 01/1A..4	11	160	175	371	494	313	350	240	10	16	SA	270	396
TDB170 02/2B..4	11	160	260	371	494	313	350	240	10	16	SA	302	428
TDB170 02/2A..4	11	160	260	371	494	313	350	240	10	16	SA	302	428
TDB170 03/1A2B..4	15	160	345	371	494	313	350	240	10	16	SA	334	463
TDB170 03/3A..4	18,5	180	345	371	554	360	350	279	10	16	SA	334	498
TDB170 04/2A2B..4	22	180	430	371	592	360	350	279	10	16	SA	366	552
TDB170 04/4A..4	30	200	430	371	657	402	400	317	10	16	SA	367	589
TDB170 05/3A2B..4	30	200	515	371	657	402	400	317	10	16	SA	399	621
TDB170 05/5A..4	30	200	515	371	657	402	400	317	10	16	SA	399	621
TDB170 06/4A2B..4	37	225	600	401	746	455	450	384	10	16	SA	436	778
TDB170 06/6A..4	37	225	600	401	746	455	450	384	10	16	SA	436	778
TDB170 07/5A2B..4	37	225	685	401	746	455	450	384	10	16	SA	468	810
TDB170 07/7A..4	45	225	685	401	746	455	450	384	10	40	SB	468	831
TDB170 08/6A2B..4	45	225	770	401	746	455	450	384	10	40	SB	500	863
TDB170 08/8A..4	55	250	770	401	825	486	550	402	10	40	SB	503	947
TDB170 09/7A2B..4	55	250	855	401	825	486	550	402	10	40	SB	535	979
TDB170 09/9A..4	55	250	855	401	825	486	550	402	10	40	SB	535	979
TDB170 10/8A2B..4	55	250	940	401	825	486	550	402	10	40	SB	567	1011
TDV170 10/10A..4	75	280	940	514	931	599	550	472	10	40	SB	611	1250

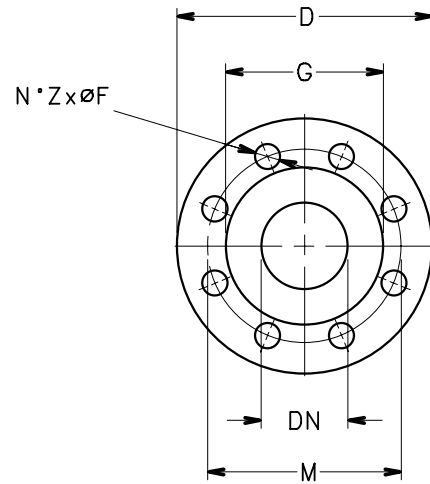
Weights refer to Version F (Cast Iron)

tdb-tdv170-4p50-en_b_td

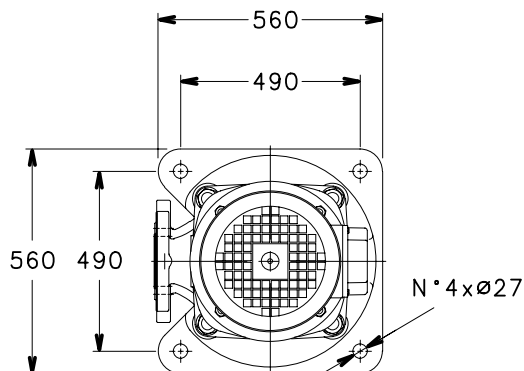
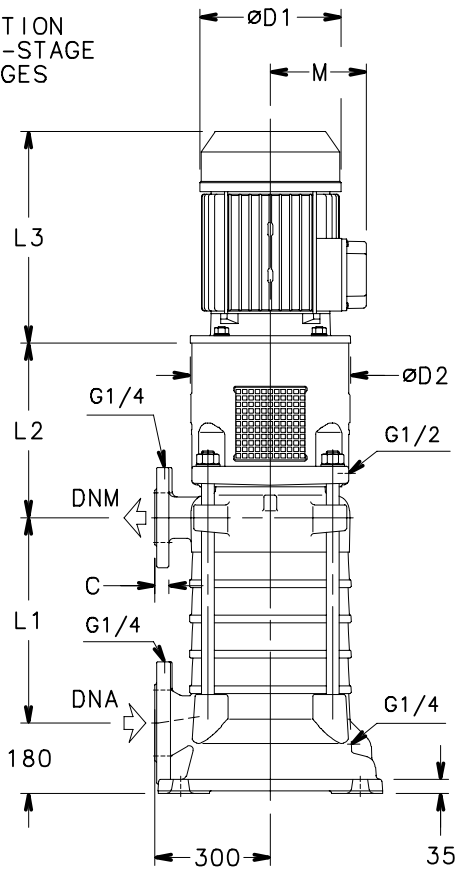
TDV220..4 - TDV280..4 SERIES
DIMENSIONS AND WEIGHTS AT 50 Hz, 4 POLES

PUMP FLANGES

DN	PN	D	M	G	Z	F	C
DNM 125	10/16	279	210	184	8	19	29
	25/40	279	220	184	8	28	29
	63	330	240	184	8	31	35
DNA 150	10/16	300	240	211	8	23	32
	25(*)	300	250	211	8	28	32
(*) ON REQUEST							



POSITION OF 3-STAGE FLANGES



POSITION OF FLANGES UP TO 2 STAGES

