



Cat.no.:E-PS



Cat.no.:E-GGC



Cat.no.:E-TMBV



Cat.no.:E-FBV



Cat.no.:E-DOV



Cat.no.:E-TOV



Cat.no.:E-PLV



Cat.no.:E-FSV



Cat.no.:E-DAV



Cat.no.:E-CPS



Cat.no.:E-AV



Cat.no.:E-PV

**NW NEWAY**  
NEWAY VALVE (SUZHOU) CO., LTD.

No.666 Taishan Road, Suzhou New District, P.R. China  
Post Code:215129  
Tel: 86-512-666-17692  
86-512-666-15637  
Fax: 86-512-666-51360  
E-Mail: overseas.sales@neway.com.cn  
<http://www.newayvalve.com>

Distributed by:

Cat.no.: E-MMBV-2018

**NW NEWAY**

# DIN VALVE

Complete Solutions for Industrial Valves



**NEWAY VALVE**

Cat.no.: E-MMBV-2018

Table of Contents

General

- 1 Quality Commitment
- 2 Advanced Manufacturing & Quality Control
- 3 Production Range
- 4~5 How To Order

Products

- 6~7 DIN Gate Valve
- 8~9 DIN Globe Valve
- 10~11 DIN Check Valve
- 12~13 DIN Ball Valve
- 14~15 DIN Butterfly Valve
- 16 Neway Factory

Product Warranty



Complete Solutions for Industrial Valves

As a global leader of valve manufacturing, Neway (SSE:603699) is dedicated to the production, research, and development of industrial valves. Neway is committed to providing complete valve solutions to all industries through advanced engineering and innovation.

Neway's product line includes Ball, Gate, Globe, Check, Butterfly, Nuclear, Control, Subsea, Safety valves. Our high quality standards and innovative ability are recognized by many global end users and EPCs. Neway valves are utilized in a wide variety of industries and working conditions such as Gas, Oil, Refining, Chemical, Coal Chemical, Offshore, FPSO, Air Separation, LNG, Nuclear Power, Power Generation, and Pipeline Transmission applications.

Facilities & Service

Neway has developed a sophisticated multi-plant management system operating one valve assembly plant, one API6A valve plant, three foundries, and one R&D center. Our newest assembly plant was expanded in 2013, and it now covers 35,000 square meters.

Advanced software (ANSYS, FE-Safe, CF-Design, Siemens PLM and NX) is applied here at Neway for the Research & Development of products. We use SAP to control the traceability and status of all products during the manufacturing process. In order to ensure the safety, eco-friendliness, and reliability of our products, we use the most advanced fire-safe, cryogenic, high pressure, and fugitive emission test equipment.

As part of Neway's global strategy, to provide better service to our customers, we have established our overseas subsidiaries in North America, Brazil, Netherlands, Italy, Singapore, and Dubai along with over 80 agents and distributors worldwide.

High Quality, High Value

Neway is dedicated to the pursuit of "Zero Defect". We maintain a quality management system that encompasses our entire operation from order entry, to final inspection. Through Neway's continuous efforts, our products have achieved industrial certificates including ISO 9001, API 6A, API 6D, CE/PED, ASME N & NPT, TA-Luft, ABS, CU-TR, and Fire-Safe approvals.

AD2000



TA Luft



CE/PED



Fire Safe Test



ABS

Neway recognizes the importance of valve quality for the safety and protection of personnel health and property. It is our quality commitment to focus our resources to provide our customers with first class products at a competitive price, that are designed, manufactured, inspected and tested in accordance with our customer's specifications and that comply with all international standards.

With respect to the facts that the current industrial standards do not always take into consideration the likelihood and consequences of possible deterioration in service, related to specific service fluids or the external environment in which they operate. Our customers are requested to keep an open line of communication with our engineering department to identify and implement standards, that will provide valves with the possibility of deterioration in service, so as to ensure safety over the valves expected lifetime.

The latest computer technology has been extensively applied in NEWAY manufacturing, which includes a large number of numeric control machines (machining center, CNC horizontal and vertical lathe and CNC drilling machine) and ERP management system. Additionally, the data through all factories have been connected and shared. These facilitate resource integration, boost productivity, evidently enhancing machining quality and tightening process control.



NEWAY developed comprehensive and advanced inspection and test facilities to control the quality from rough castings or forgings to final products, which enable us to perform radiographic test, liquid penetrant test, magnetic-particle test, spectrum analysis, Material Positive Identification (MPI), impact test, tensile test, hardness test, fire safe test, cryogenic test, vacuum test, low fugitive emission test, high pressure gas test, ultrasonic testing and hydrostatic test.



DIN Gate Valve

	DN50	DN65	DN80	DN100	DN150	DN200	DN250	DN300	DN350	DN400	DN450	DN500	DN600
PN10	Y	Y	Y	Y	Y	Y	Y	Y	Y	Y	Y	Y	Y
PN16	Y	Y	Y	Y	Y	Y	Y	Y	Y	Y	Y	Y	Y
PN25	Y	Y	Y	Y	Y	Y	Y	Y	Y	Y	Y	Y	Y
PN40	Y	Y	Y	Y	Y	Y	Y	Y	Y	Y	Y	Y	Y

DIN Globe Valve

	DN50	DN65	DN80	DN100	DN150	DN200	DN250	DN300					
PN10	Y	Y	Y	Y	Y	Y	Y	Y					
PN16	Y	Y	Y	Y	Y	Y	Y	Y					
PN25	Y	Y	Y	Y	Y	Y	Y	Y					
PN40	Y	Y	Y	Y	Y	Y	Y	Y					

DIN Check Valve

	DN50	DN65	DN80	DN100	DN125	DN150	DN200	DN250	DN300	DN350	DN400	DN450	DN500	DN600
PN10	Y	Y	Y	Y	Y	Y	Y	Y	Y	Y	Y	Y	Y	Y
PN16	Y	Y	Y	Y	Y	Y	Y	Y	Y	Y	Y	Y	Y	Y
PN25	Y	Y	Y	Y	Y	Y	Y	Y	Y	Y	Y	Y	Y	Y
PN40	Y	Y	Y	Y	Y	Y	Y	Y	Y	Y	Y	Y	Y	Y

DIN Ball Valve

	DN15	DN25	DN40	DN50	DN80	DN100	DN150	DN200					
PN10	Y	Y	Y	Y	Y	Y	Y	Y					
PN16	Y	Y	Y	Y	Y	Y	Y	Y					
PN25	Y	Y	Y	Y	Y	Y	Y	Y					
PN40	Y	Y	Y	Y	Y	Y	Y	Y					

DIN Triple Offset Butterfly Valve

	DN80	DN100	DN150	DN200	DN250	DN300	DN350	DN400	DN450	DN500	DN600		
PN10	Y	Y	Y	Y	Y	Y	Y	Y	Y	Y	Y		
PN16	Y	Y	Y	Y	Y	Y	Y	Y	Y	Y	Y		
PN25	Y	Y	Y	Y	Y	Y	Y	Y	Y	Y	Y		
PN40	Y	Y	Y	Y	Y	Y	Y	Y	Y	Y	Y		

## Example



Neway figure numbers are designed to cover essential features. When ordering, please show figure number to avoid misunderstanding of your requirements. However a detailed description must accompany with any special orders.

Following descriptions provide a basic guideline in valve specification:

### ① Valve Size

### ② Valve Type

Valve Type	Symbol
Gate Valve	G
Globe Valve	GL
Swing Check Valve	S
2-PC Floating Ball Valve	B
Triple Offset Butterfly Valve	TC

### ③ Class

Class	Code
PN10	10
PN16	16
PN25	25
PN40	40

### ④ End Connection

End Connection	Symbol
Raised Face Flanged End	R
RTJ Flanged End	J
Butt-welding End	B
Wafer	W
Flat Lug	L

### ⑤&⑥ Actuator and Special Code

Description	Symbol
Handwheel Operator	—
Gear Operator	G
Electric Operator	M
Pneumatic Operator	P
Non Rising Stem	NRS
Pressure Seal	PS
Reduce Bore	R
By Pass	BP
Lever	—
Bare Stem/Shaft	BS
Hydraulic Actuator	H
Gas Over Oil Actuator	L

### ⑦ Body Material

Material	EN refer NO.
GP240GH	1.0619
GX5CrNi19-10	1.4308
GX5CrNiMo 19-11-2	1.4408
G17CrMo5-5	1.7357
G20Mn5	1.6220
GX5CrNiMoNb19-11-2	1.4581
GX5CrNiNb19-11	1.4552
G17CrMo9-10	1.7379
G26CrMo4	1.7221

### ⑧ Trim Codes

#### DIN Gate & DIN Globe & DIN Check Valve

Trim No.	Disc Surface	Seat Surface	Stem Material
5	Stellite	Stellite	A182 Grade F6a
8	13%Cr	Stellite	A182 Grade F6a
12	18%Cr,8%Ni	Stellite	A182 Grade F316

#### DIN Triple Offset Butterfly Valve

Stem	Seat	Metal Seal Ring	Soft Seat Ring
1: F416	2: 304	2: F304	5: PTFE
2: F304	3: 316	3: F316	8: GRAPHITE
3: F316	4: MONEL	6: 1Cr13(F6a)	
4: MONEL K500	7: 410 (1Cr13)	7: F316L	
5: 17-4PH	9: STL.21	8: F304L	
6: 1Cr13 (410)		9: F51	
7: F316L			
8: F304L			
9: F51			

#### DIN Ball Valve

Seat	O-Ring Seals	Stem	Ball	Packing
1: PTFE	1: NBR	1: 1Cr13	1: 1Cr13	1: PTFE
2: NYLON 1010	2: VITON A	2: F304	2: F304	2: Graphite
3: PEEK	3: VITON AED	3: A105N/ENP	3: A105N/ENP	9: Garlock (Low Emission)
7: NYLON 12	4: VITON B	4: 17-4PH	4: 17-4PH	
8: PCTFE	5: HNBR-70	5: AISI 4140/ENP	5: AISI 4140/ENP	
C: FILLED PTFE	8: VITON GLT	6: F316	6: F316	
F: TFM1700	9: BUNA-N	9: LF2/ENP	9: LF2/ENP	
	P: FR 25/90	A: F51	A: F51	

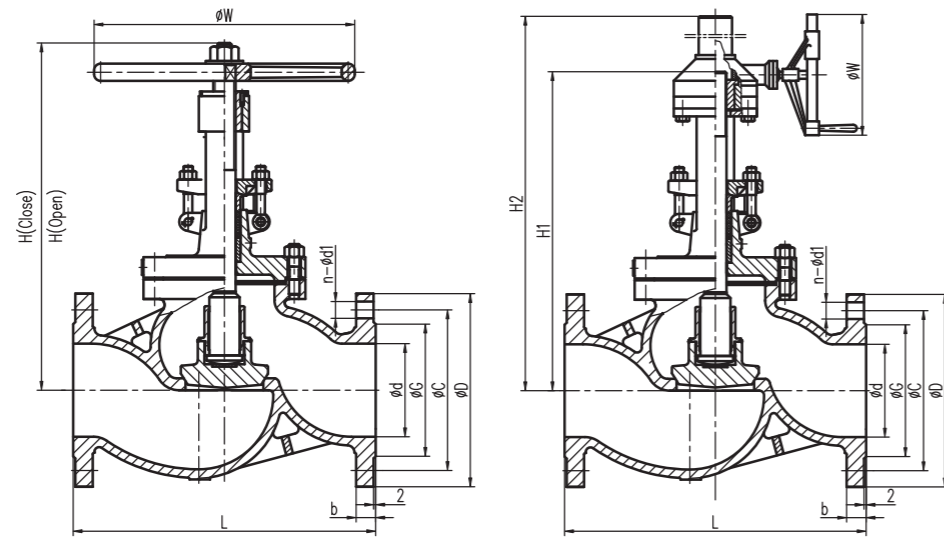


Standard

DIN EN13709 and AD2000-A4  
 EN 1092-1  
 EN 558-1 (Raised Face)  
 (PN10、16、25、40 acc. To R1)  
 EN 12266-1

Design

- Screwed-in Back seat
- Rising Handwheel
- Rising Stem
- Flexible Wedge
- Bolted Bonnet
- OS & Y
- Swivel Disc



PN10 Per Series

DN	L(RF)	W	d	D	G	C	b	n- $\phi d1$	Tr	T	H(Close)	H(Open/Max)	Weight(RF)
mm	mm	mm	mm	mm	mm	mm	mm	mm	mm	mm	mm	mm	kg
50	230	200	51	165	102	125	18	4- $\phi 18$	20*4LH	9.2	315	336.5	21
65	290	250	65	185	122	145	18	8- $\phi 18$	24*5LH	8.7	345.9	372.5	29
80	310	250	80	200	138	160	20	8- $\phi 18$	26*5LH	9.4	369.4	397.5	35
100	350	300	102	220	158	180	20	8- $\phi 18$	30*6LH	10.3	432.9	469.5	53
150	480	350	150	285	212	240	22	8- $\phi 22$	32*6LH	12.1	488.4	540.5	100
200	600	400	200	340	268	295	24	8- $\phi 22$	36*6LH	13.5	527	587.5	160
250	730	305	250	395	320	350	26	12- $\phi 22$	46*8LH	14.5	658	759	315
300	850	458	300	445	370	400	26	12- $\phi 22$	52*8LH	15.9	775	900	450

a. For size of larger than DN300, please contact Neway sales for details.

PN16 Per Series

DN	L(RF)	W	d	D	G	C	b	n- $\phi d1$	Tr	T	H(Close)	H(Open/Max)	Weight(RF)
mm	mm	mm	mm	mm	mm	mm	mm	mm	mm	mm	mm	mm	kg
50	230	200	51	165	102	125	18	4- $\phi 18$	20*4LH	9.2	315	336.5	21
65	290	200	65	185	122	145	18	8- $\phi 18$	24*5LH	8.7	345.9	372.5	29
80	310	250	80	200	138	160	20	8- $\phi 18$	26*5LH	9.4	369.4	397.5	35
100	350	300	102	220	158	180	20	8- $\phi 18$	28*5LH	10.3	432.9	469.5	53
150	480	350	150	285	212	240	22	8- $\phi 22$	32*6LH	12.1	488.47	540.5	100
200	600	400	200	340	268	295	24	12- $\phi 22$	36*6LH	13.5	527	587.5	160
250	730	305	250	405	320	355	26	12- $\phi 26$	46*8LH	14.5	658	759	315
300	850	458	300	460	378	410	28	12- $\phi 26$	52*8LH	15.9	775	900	450

a. For size of larger than DN300, please contact Neway sales for details.

Material List

Part	Carbon Steel	Stainless Steel
Body	1.0619(as per AD2000-W5/EN10213)	1.4408(as per AD2000-W5/EN10213)
Bonnet	1.0619(as per AD2000-W5/EN10213)	1.4408(as per AD2000-W5/EN10213)
Disc	ASME A182 F6a	1.4401(as per AD2000-W5/EN10283)
Stem	ASTM A182-F6a	ASTM A182-F316
Seat	1.0352/STL.OVERLAY	1.4401/STL.6 OVERLAY
Handwheel	ASTM A536 60-40-18	ASTM A536 60-40-18
Gland Flange	1.0619 as per AD2000-W5/EN 10213	1.4308(as per AD2000-W5/EN10213)
Gland	ASTM A276-420	ASTM A276-316L
Bonnet Stud	1.7218 as per AD2000-W7	A4-70 as per AD2000-W2
Bonnet Nut	1.7218 as per AD2000-W7	A4 as per AD2000-W2
Eye Bolt	1.7218 as per AD2000-W7	A4-70 as per AD2000-W2
Eye Nut	1.7218 as per AD2000-W7	A4 as per AD2000-W2
Packing	GRAPHITE	GRAPHITE
Gasket	SPIRAL WOUND GRAPHITE	SPIRAL WOUND GRAPHITE
Back Seat	ASTM A276-420 / Stl. Overlay	ASTM A276 316L/STL.6 OVERLAY
Name Plate	SS-Steel	SS-Steel
Stem Nut	ASTM A439 D-2	ASTM A439 D-2
Stem Washer	13Cr-Steel	SS-Steel
Spacer Ring	13Cr-Steel	SS-Steel
Disc Nut	13Cr-Steel	SS-Steel
Screw	C-Steel	SS-Steel
Pin	C-Steel	SS-Steel
Split Pin	SS-Steel	SS-Steel
Rivet	SS-Steel	SS-Steel

Notes: Above materials are general, when ordered, please contact sales team for more material information.

PN25 Per Series

DN	L(RF)	W	d	D	G	C	b	n- $\phi d1$	Tr	T	H(Close)	H(Open/Max)	Weight(RF)
mm	mm	mm	mm	mm	mm	mm	mm	mm	mm	mm	mm	mm	kg
50	230	200	51	165	102	125	20	4- $\phi 18$	20*4LH	8.8	315	336.5	21
65	290	200	65	185	122	145	22	8- $\phi 18$	24*5LH	9.8	345.9	372.5	29
80	310	250	80	200	138	160	24	8- $\phi 18$	26*5LH	10.6	369.4	397.5	38
100	350	300	100	235	162	190	24	8- $\phi 22$	30*6LH	11.4	432.9	469.5	58
150	480	350	150	300	218	250	28	8- $\phi 26$	32*6LH	12.6	488.4	540.5	106
200	600	400	200	360	278	310	30	12- $\phi 26$	36*6LH	13.4	527	587.5	160
250	730	305	250	425	335	370	32	12- $\phi 30$	46*8LH	14.5	658	759	315
300	850	458	300	485	395	430	34	16- $\phi 30$	52*8LH	16.8	775	900	450

a. For size of larger than DN300, please contact Neway sales for details.

PN40 Per Series

DN	L(RF)	W	d	D	G	C	b	n- $\phi d1$	Tr	T	H(Close)	H(Open/Max)	Weight(RF)
mm	mm	mm	mm	mm	mm	mm	mm	mm	mm	mm	mm	mm	kg
50	230	200	51	165	102	125	20	4- $\phi 18$	20*4LH	9.2	315	336.5	21
65	290	250	65	185	122	145	22	8- $\phi 18$	24*5LH	10.6	345.9	372.5	34
80	310	250	80	200	138	160	24	8- $\phi 18$	26*5LH	11.4	391	421	38
100	350	300	102	235	162	190	24	8- $\phi 22$	32*6LH	11.3	459	496	56
150	480	350	150	300	218	250	28	8- $\phi 26$	46*8LH	14.6	627	679	106
200	600	560	203	375	285	320	34	12- $\phi 30$	52*8LH	15.9	768	833	180
250	730	610	250	450	345	385	38	12- $\phi 33$	60*9LH	17.2	910	1045	330
300	850	710	300	515	410	450	42	16- $\phi 33$	65*10LH	19.3	1078	1157	470

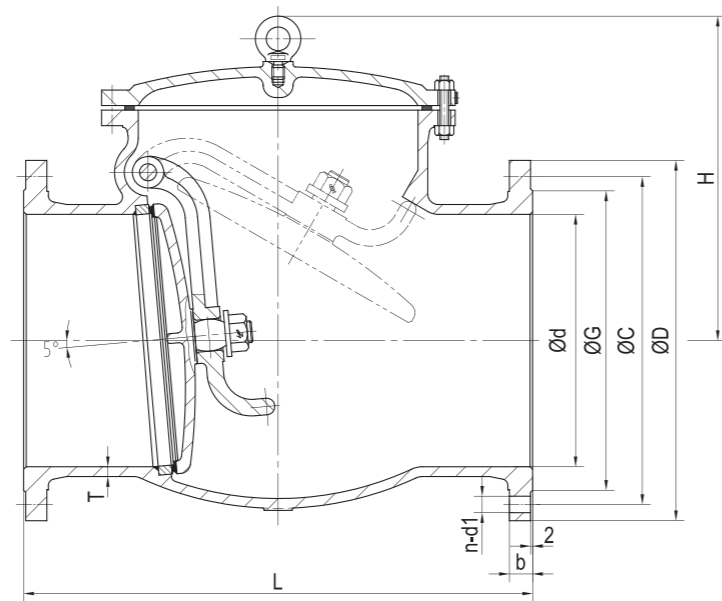
a. For size of larger than DN300, please contact Neway sales for details.

Standard

DIN EN16767 and AD2000-A4  
EN 1092-1  
EN 558-1 (Raised Face)  
(PN10、16、25、40 acc. To R1)  
EN 12266-1

Design

Bolted Cover  
Swing Type Disc



PN10 Per Series

DN	L(RF)	d	D	G	C	b	n-φd1	T	H	Weight(RF)
mm	mm	mm	mm	mm	mm	mm	mm	mm	mm	kg
50	230	51	165	102	125	18	4-φ18	8.7	160	17
65	290	64	185	122	145	18	8-φ18	8.7	175	20
80	310	78	200	138	160	20	8-φ18	9.4	185	28
100	350	102	220	158	180	20	8-φ18	10.3	220	40
125	400	127	250	188	210	22	8-φ18	11.2	248	61
150	480	152	285	212	240	22	8-φ22	11.9	297	85
200	600	203	340	268	295	24	8-φ22	12.7	352	152
250	730	254	395	320	350	26	12-φ22	14.2	391	216
300	850	305	445	370	400	26	12-φ22	15.3	439	306
350	980	343	505	430	460	26	16-φ22	15.9	480	495
400	1100	394	565	482	515	26	16-φ26	16.4	529	640
450	1200	445	615	532	565	28	20-φ26	16.9	586	786
500	1250	495	670	585	620	28	20-φ26	17.6	630	1077
600	1450	597	780	685	725	34	20-φ30	19.6	746	1315

a. For size of larger than DN600, please contact Neway sales for details.

PN16 Per Series

DN	L(RF)	d	D	G	C	b	n-φd1	T	H	Weight(RF)
mm	mm	mm	mm	mm	mm	mm	mm	mm	mm	kg
50	230	51	165	102	125	18	4-φ18	8.8	160	17
65	290	64	185	122	145	18	8-φ18	10	175	20
80	310	78	200	138	160	20	8-φ18	9.4	185	28
100	350	102	220	158	180	20	8-φ18	10.3	220	40
125	400	127	250	188	210	22	8-φ18	12	248	61
150	480	152	285	212	240	22	8-φ22	11.9	296.5	85
200	600	203	340	268	295	24	12-φ22	13.5	351.5	152
250	730	254	405	320	355	26	12-φ26	14.2	391	216
300	850	305	460	378	410	28	12-φ26	15.3	439	306
350	980	343	520	438	470	30	16-φ26	15.9	480	495
400	1100	394	580	490	525	32	16-φ30	16.4	529	640
450	1200	445	640	550	585	34	20-φ30	16.9	586	786
500	1250	495	715	610	650	36	20-φ33	17.6	630	1077
600	1450	597	840	720	770	40	20-φ36	19.6	746	1315

a. For size of larger than DN600, please contact Neway sales for details.

PN25 Per Series

DN	L(RF)	d	D	G	C	b	n-φd1	T	H	Weight(RF)
mm	mm	mm	mm	mm	mm	mm	mm	mm	mm	kg
50	230	51	165	102	125	20	4-φ18	8.8	160	17
65	290	64	185	122	145	22	8-φ18	10	175	20
80	310	78	200	138	160	24	8-φ18	10.7	185	28
100	350	102	235	162	190	24	8-φ22	10.9	220	40
125	400	127	270	188	220	26	8-φ26	12	248	61
150	480	152	300	218	250	28	8-φ26	12.6	296.5	85
200	600	203	360	278	310	30	12-φ26	13.5	351.5	152
250	730	254	425	335	370	32	12-φ30	15	410	216
300	850	300	485	395	430	34	16-φ30	16.8	430	306
350	980	343	555	450	490	38	16-φ33	17.7	511	495
400	1100	387	620	505	550	40	16-φ36	18.6	552	640
450	1200	445	670	555	600	46	20-φ36	19.5	600	786
500	1250	489	730	615	660	48	20-φ36	20.4	679	1077
600	1450	590	845	720	770	58	20-φ39	22.2	734	1315

a. For size of larger than DN600, please contact Neway sales for details.

PN40 Per Series

DN	L(RF)	d	D	G	C	b	n-φd1	T	H	Weight(RF)
mm	mm	mm	mm	mm	mm	mm	mm	mm	mm	kg
50	230	51	165	102	125	20	4-φ18	9.3	176	20
65	290	64	185	122	145	22	8-φ18	10.7	185	27
80	310	78	200	138	160	24	8-φ18	11.4	216	32
100	350	102	235	162	190	24	8-φ22	12.2	259	48
125	400	127	270	188	220	26	8-φ26	12.7	259	68
150	480	152	300	218	250	28	8-φ26	14.6	317	100
200	600	203	375	285	320	34	12-φ30	15.9	380	210
250	730	250	450	345	385	38	12-φ33	17.5	440	240
300	850	300	515	410	450	42	16-φ33	19.1	511	438
350	980	337	580	465	510	46	16-φ36	20.5	552	702
400	1100	387	660	535	585	50	16-φ39	21.8	600	882
450	1200	432	685	560	610	57	20-φ39	23	679	1102
500	1250	483	755	615	670	57	20-φ42	24.3	734	1360
600	1450	584	890	735	795	72	20-φ48	27	863	2100

a. For size of larger than DN600, please contact Neway sales for details.

Material List

Part	Carbon Steel	Stainless Steel
Body	1.0619(as per AD2000-W5/EN10213)	1.4408(as per AD2000-W5/EN10213)
Cover	1.0619(as per AD2000-W5/EN10213)	1.4408(as per AD2000-W5/EN10213)
Disc	1.0619(as per AD2000-W5/EN10283) / ER410 Overlay	1.4408(as per AD2000-W5/EN10213)
Seat Ring	1.0352+STL.6	1.4401+STL.6
Plug for Hinge Pin	ASTM A105N	ASTM A182 F316
Bonnet Stud	1.7218 as per AD2000-W7	A4-70 as per AD2000-W2
Bonnet Nut	1.7218 as per AD2000-W7	A4 as per AD2000-W2
Name Plate	SS-Steel	SS-Steel
Back-up Ring	13Cr-Steel	SS-Steel
Disc Nut	ASTM A276-420	SS-Steel
Disc Pin	SS-Steel	SS-Steel
Disc Washer	13Cr-Steel	SS-Steel
Hinge	1.0619 as per AD2000-W5/EN 10213-2	1.4408(as per AD2000-W5/EN10213)
Rivet	SS-Steel	SS-Steel
Gasket	Spiral Wound Graphite	Spiral Wound Graphite
Gasket for Hinge Pin	Spiral Wound Graphite	Spiral Wound Graphite
Washer for Plug	C-Steel	SS-Steel
Hing Pin	ASTM A276 410	ASTM A276 316

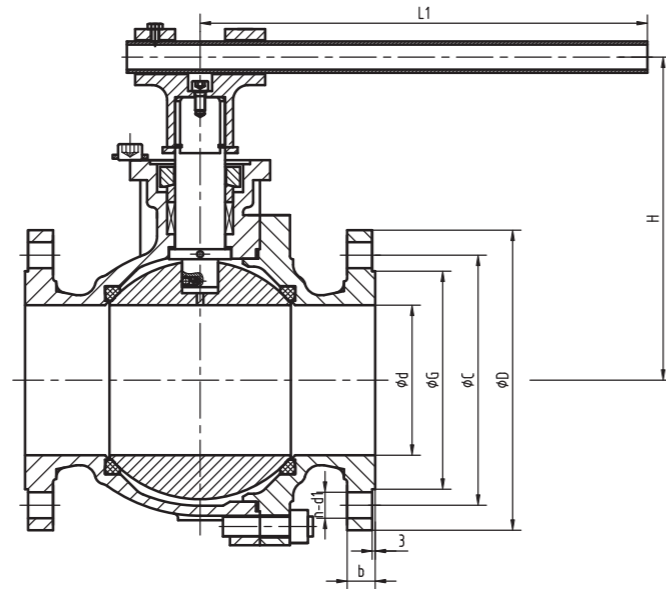
Notes: Above materials are general, when ordered, please contact sales team for more material information.

Standard

DIN EN1983 and AD2000-A4  
 EN 1092-1  
 EN 558-1 (Raised Face)  
 (PN10、16、25、40 acc. To R27)  
 EN 12266-1

Design

Full Bore



PN10 Per Series

DN	L(RF)	d	D	G	C	b	n-φd1	L1	H	Weight(RF)
mm	mm	mm	mm	mm	mm	mm	mm	mm	mm	kg
15	115	13	95	45	65	16	4-14	150	43	2.5
20	120	19	105	58	75	18	4-14	150	53	3.5
25	125	25.4	115	68	85	18	4-14	150	55.5	4.5
32	130	32	140	78	100	18	4-18	150	64	6
40	140	38	150	88	110	18	4-18	180	69	7.5
50	150	51	165	102	125	18	4-18	180	76.5	10.5
65	170	64	185	122	145	18	8-18	265	100	18
80	180	76	200	138	160	20	8-18	300	111.5	23.5
100	190	100	220	158	180	20	8-18	400	132.5	30
150	350	152	285	212	240	22	8-22	600	188	105
200	400	203	340	268	295	24	8-22	800	220	165

a. For size of larger than DN200, please contact Newway sales for details.

PN16 Per Series

DN	L(RF)	d	D	G	C	b	n-φd1	L1	H	Weight(RF)
mm	mm	mm	mm	mm	mm	mm	mm	mm	mm	kg
15	115	13	95	45	65	16	4-φ14	150	43	2.5
20	120	19	105	58	75	18	4-φ14	150	53	3.5
25	125	25	115	68	85	18	4-φ14	150	55.5	4.5
32	130	32	140	78	100	18	4-φ18	150	64	6
40	140	38	150	88	110	18	4-φ18	180	69	7.5
50	150	49	165	102	125	18	4-φ18	180	76.5	10.5
65	170	64	185	122	145	18	8-φ18	265	100	18
80	180	76	200	138	160	20	8-φ18	300	111.5	23.5
100	190	100	220	158	180	20	8-φ18	400	132.5	30
150	350	150	285	212	240	22	8-φ22	600	188	105
200	400	200	340	268	295	24	12-φ22	800	220	165

a. For size of larger than DN200, please contact Newway sales for details.

Material List

DN15~DN32

Part	Carbon Steel	Stainless Steel
Body	1.0619	1.4408
Body Connector	1.0619	1.4408
Ball	1.4308 <sup>1</sup>	1.4408
Seat	PTFE	PTFE
Stem	1.4301 <sup>1</sup>	1.4401
Gland	1.4306	1.4435
Gasket	316L+Graphite	316L+Graphite
Anti-static Spring	1.4401	1.4401
Packing	Graphite	Graphite
Lock Plate	1.4301	1.4301
Rivet	1.4301	1.4301
Name Plate	1.4301	1.4301
Stop Plate	1.1191	1.4401
Thrust Plate	RPTFE	RPTFE
Stud	EN10269 1.7225	ISO3506-2 A2-70
Nut	EN10269 1.1191	ISO3506-2 A2-70
Anti-Static Ball	1.4401	1.4401
Thrust Washer	Filled PEEK	Filled PEEK
Disc Spring	1.8159	1.4568
Screw	1.4021	ISO3506-2 A2-70
Washer	1.4301	1.4301
Nut	EN10269 1.1191	ISO3506-2 A2-70
Lever	1.1191	1.4308
Nut	EN20898-28	ISO3506-2 A2-70

DN40~DN200

Part	Carbon Steel	Stainless Steel
Body	1.0619	1.4408
Body Connector	1.0619	1.4408
Ball	1.4308 <sup>1</sup>	1.4408
Seat	PTFE	PTFE
Stem	1.4301	1.4401
Gland	1.4306	1.4435
Gasket	316L+Graphite	316L+Graphite
Anti-static Spring	1.4401	1.4401
Packing	Graphite	Graphite
Lock Pin	1.0038 <sup>2</sup>	1.0038 <sup>2</sup>
Rivet	1.4301	1.4301
Name Plate	1.4301	1.4301
Stop Plate	1.1191	1.4401
Thrust Plate	RPTFE	RPTFE
Stud	EN10269 1.7225	ISO3506-2 A2-70
Nut	EN10269 1.1191	ISO3506-2 A2-70
Anti-Static Ball	1.4401	1.4401
Thrust Washer	Filled PEEK	Filled PEEK
Screw	EN20898-1 8.8	ISO3506-2 A2-70
Screw	EN10269 1.7225	ISO3506-2 A2-70
Retainer	1.0642	1.4301
Gland Flange	1.0352	1.4401
Bolt	EN20898-1 8.8	ISO3506-2 A2-70
T-bar Support	1.1191	1.4308
T-bar	1.0038 <sup>2</sup>	1.0038 <sup>2</sup>

Notes: Above materials are general, when ordered, please contact sales team for more material information.

PN25 Per Series

DN	L(RF)	d	D	G	C	b	n-φd1	L1	H	Weight(RF)
mm	mm	mm	mm	mm	mm	mm	mm	mm	mm	kg
15	115	13	95	45	65	16	4-φ14	150	43	2.5
20	120	19	105	58	75	18	4-φ14	150	53	3.5
25	125	25	115	68	85	18	4-φ14	150	55.5	4.5
32	130	32	140	78	100	18	4-φ18	150	64	6
40	140	38	150	88	110	18	4-φ18	180	69	7.5
50	150	49	165	102	125	20	4-φ18	180	76.5	10.5
65	170	64	185	122	145	22	8-φ18	265	100	20
80	180	76	200	138	160	24	8-φ18	300	111.5	26.5
100	190	100	235	158	190	24	8-φ22	400	132.5	35
150	350	150	300	218	250	28	8-φ26	600	188	110
200	400	200	360	278	310	30	12-φ26	N/A	N/A	N/A

a. For size of larger than DN200, please contact Newway sales for details.

PN40 Per Series

DN	L(RF)	d	D	G	C	b	n-φd1	L1	H	Weight(RF)
mm	mm	mm	mm	mm	mm	mm	mm	mm	mm	kg
15	115	13	95	45	65	16	4-φ14	150	43	2.5
20	120	19	105	58	75	18	4-φ14	150	53	3.5
25	125	25	115	68	85	18	4-φ14	150	55.5	4.5
32	130	32	140	78	100	18	4-φ18	150	64	6
40	140	38	150	88	110	18	4-φ18	180	69	7.5
50	150	49	165	102	125	20	4-φ18	180	76.5	10.5
65	170	64	185	122	145	22	8-φ18	265	100	20
80	180	76	200	138	160	24	8-φ18	300	111.5	26.5
100	190	100	235	158	190	24	8-φ22	400	132.5	35
150	350	150	300	218	250	28	8-φ26	600	188	110
200	400	200	375	285	320	34	12-φ30	N/A	N/A	N/A

a. For size of larger than DN200, please contact Newway sales for details.

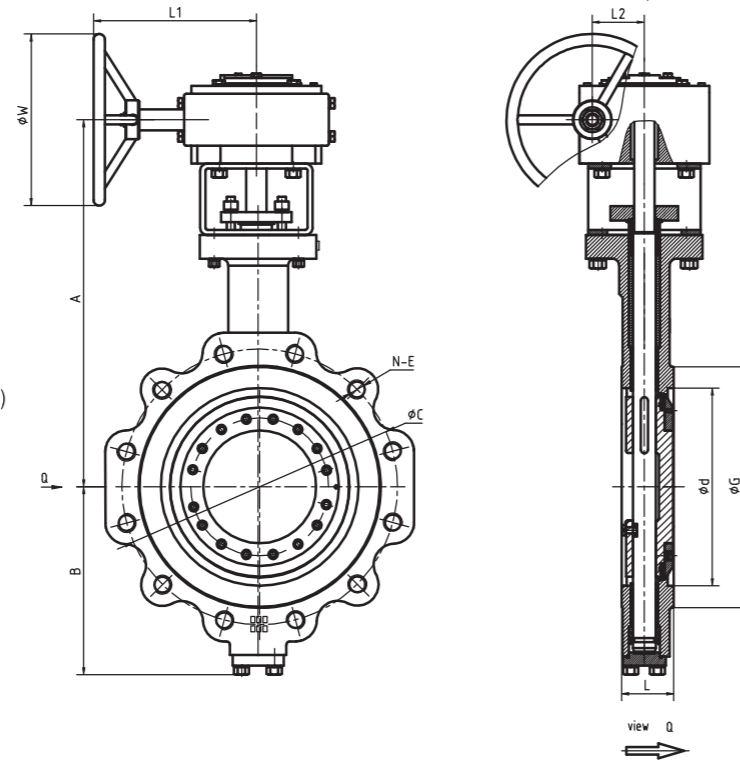


### Standard

DIN EN593 and AD2000-A4  
 EN 1092-1  
 EN 558-1  
 (Lug/Wafer: PN10、16、25、40 acc. To R16)  
 (Raised Face: PN10、16、25 acc. To R13; PN40 acc. To R14)  
 EN 12266-1

### Design

Triple Offset



### PN10 Per Series

DN mm	L(LUG) mm	A mm	B mm	W mm	d mm	G mm	C mm	L1 mm	L2 mm	N-E* mm	Gear mm	Weight kg
80	64	250	135	100	76	138	160	92	35	8-M16	242-10M/CD100	16
100	64	288	153	200	100	158	180	160	42	8-M16	242-20M/SG200	21
150	76	344	185	300	150	212	240	212	55	8-M20	242-30M/SG300	35
200	89	409	217	300	201	268	295	212	55	8-M20	242-30M/SG300	53
250	114	463	247	400	252	320	350	255	69	12-M20	242-40M/SG400	71
300	114	503	277	400	303	370	400	255	69	12-M20	242-40M/SG400	100
350	127	603	310	600	334	430	460	346	105	16-M20	AB1250/SG600	150
400	140	623	368	600	385	482	515	346	105	16-M24	AB1250/SG600	210
450	152	658	388	600	436	532	565	346	105	20-M24	AB1250/SG600	276
500	152	705	423	500	487	585	620	398	130	20-M24	AB1950/PR4/SG500	360
600	178	755	499	500	589	685	725	398	130	20-M27	AB1950/PR4/SG500	555

a. For size of larger than DN600, please contact Newway sales for details.

### PN16 Per Series

DN mm	L(LUG) mm	A mm	B mm	W mm	d mm	G mm	C mm	L1 mm	L2 mm	N-E* mm	Gear mm	Weight kg
80	64	250	135	100	76	138	160	92	35	8-M16	242-10M/CD100	16
100	64	288	153	200	100	158	180	160	42	8-M16	242-20M/SG200	21
150	76	344	185	300	150	212	240	212	55	8-M20	242-30M/SG300	35
200	89	409	217	300	201	268	295	212	55	12-M20	242-30M/SG300	53
250	114	463	247	400	252	320	355	255	69	12-M24	242-40M/SG400	71
300	114	503	277	400	303	370	410	255	69	12-M24	242-40M/SG400	100
350	127	603	310	600	334	430	470	346	105	16-M24	AB1250/SG600	150
400	140	623	368	600	385	482	525	346	105	16-M27	AB1250/SG600	210
450	152	658	388	600	436	532	585	346	105	20-M27	AB1250/SG600	276
500	152	705	423	500	487	585	650	398	130	20-M30	AB1950/PR4/SG500	360
600	178	755	499	500	589	685	770	398	130	20-M33	AB1950/PR4/SG500	555

a. For size of larger than DN600, please contact Newway sales for details.

### Material List

Part	Carbon Steel	Stainless Steel
Body	1.0619/STL.21 OVERLAY(as per EN 10213-2)	1.4408
Disc	1.4011	1.4408
Stem	A705 630 UNS S17400	A705 630 UNS S17400
Seal Ring	F51+Graphite	F51+Graphite
Gear box	Parts	Parts
Gland Flange	1.0619(as per EN 10213-2)	1.4401
Bottom Flange	EN10222-2 1.0352	1.4401
Yoke	AISI 1020	AISI 1020
Bearing	ASTM A182-F316L-N2	ASTM A182-F316L-N2
Oriental Block	ASTM A240-316	ASTM A240-316
Gland	ASTM A276-316L	ASTM A276-316L
Gland Circle	ASTM A105N-NI	1.4401
Packing	Reinforced Graphite	Reinforced Graphite
Spacer	ASTM A276 F316L	ASTM A276 F316L
Blowout Proof Block	ASTM A182-F316L-N2	ASTM A182-F316L-N2
Stopper	ASTM A276 316L	ASTM A276 316L
Name Plate	ASTM A240 304	ASTM A240 304
Retaining Washer	ASTM A276-316	ASTM A276-316
Rivet	ASTM A276 304	ASTM A276 304
Washer	ASTM A240 304	ASTM A240 304
Stud	A4-70	A4-70
Thrust Bearing	ASTM A182-F316L-N2	ASTM A182-F316L-N2
Gasket	Spiral wound Graphite/316ss	Spiral wound Graphite/316ss
Pin	ASTM A276 304	ASTM A276 304
Key	A705 630 UNS S17400	A705 630 UNS S17400
Nut	A4-70	A4-70
Screw	A4-70	A4-70
Bolt	A4-70	A4-70
Nut	A4-70	A4-70

Notes: Above materials are general, when ordered, please contact sales team for more material information.

### PN25 Per Series

DN mm	L(LUG) mm	A mm	B mm	W mm	d mm	G mm	C mm	L1 mm	L2 mm	N-E* mm	Gear mm	Weight kg
80	64	250	135	100	76	138	160	92	35	8-M16	242-10M/CD100	17
100	64	288	153	200	100	162	190	160	42	8-M20	242-20M/SG200	22
150	76	364	196	300	150	212	250	212	55	8-M24	242-30M/SG300	48
200	89	448	227	400	201	268	310	255	69	12-M24	242-40M/SG400	72
250	114	532	277	500	252	320	370	275	81	12-M27	242-45M/SG500	117
300	114	568	318	600	303	370	430	346	105	16-M27	AB1250/SG600	160
350	127	635	363	500	334	430	490	398	130	16-M30	AB1950/PR4/SG500	285
400	140	660	404	500	385	490	550	398	130	16-M33	AB1950/PR4/SG500	380
450	152	682	429	500	436	550	600	410	140	20-M33	AB3000/PR4/SG500	475
500	152	742	467	400	487	610	660	390	140	20-M33	AB3000/PR6/SG400	655
600	178	824	532	600	589	725	770	451	182	20-M36	AB6800/PR6/SG600	905

a. For size of larger than DN600, please contact Newway sales for details.

### PN40 Per Series

DN mm	L(LUG) mm	A mm	B mm	W mm	d mm	G mm	C mm	L1 mm	L2 mm	N-E* mm	Gear mm	Weight kg
80	64	250	135	100	76	138	160	92	35	8-M16	242-10M/CD100	17
100	64	288	153	200	100	162	190	160	42	8-M20	242-20M/SG200	22
150	76	364	196	300	150	218	250	212	55	8-M24	242-30M/SG300	48
200	89	448	227	400	201	285	320	255	69	12-M27	242-40M/SG400	72
250	114	532	277	500	252	345	385	275	81	12-M30	242-45M/SG500	117
300	114	568	318	600	303	410	450	346	105	16-M30	AB1250/SG600	160
350	127	635	363	500	334	465	510	398	130	16-M33	AB1950/PR4/SG500	285
400	140	660	404	500	385	535	585	398	130	16-M36	AB1950/PR4/SG500	380
450	152	682	429	500	436	560	610	410	140	20-M36	AB3000/PR4/SG500	475
500	152	742	467	400	487	615	670	390	140	20-M39	AB3000/PR6/SG400	655
600	178	824	532	600	589	735	795	451	182	20-M45	AB6800/PR6/SG600	905

a. For size of larger than DN600, please contact Newway sales for details.

**NEWAY Head Office**

Total area: 2,295sqm  
Office area: 6,885sqm

**Founded in 2014**



**Neway Manufacturing Base**

Main products: Ball Valve, Gate Valve,  
Globe Valve, Check Valve,  
Forged Steel Valve, Butterfly Valve

Building area: 230,000 sqm  
Work shop: 140,061 sqm

**Established in 2006 and expanded in 2013**



**NEWAY Foundry (Suzhou)**

Main products: Sand Casting  
Building area: 112,500 sqm  
Work shop: 98000 sqm

**Founded in 2008 and expanded in 2015**



**NEWAY Foundry (Dafeng)**

Main products: Lost wax investment casting  
Building area: 46,000 sqm  
Work shop: 12,000 sqm

**Founded in 2004**



**NEWAY Foundry (Dafeng)**

Main products: Lost wax investment casting  
Building area: 40,000 sqm  
Work shop: 20,000 sqm

**Founded in 2008**



Seller will replace without charge or refund the purchase price of products provided by Seller which prove to be defective in material or workmanship, provided in each case that the product is properly installed and is used in the service for which Seller recommends it and that written claim, specifying the alleged defect, is presented to the Seller within 18 months from the date of shipment or 12 months after installation, whichever occurs first. Seller shall in no event bear any laborequipment, engineering or other costs incurred in connection with repair of replacementThe warranty stated in this paragraph is in lieu of all other warranties, either expressed or implied. With respect to warranties, this paragraph states Buyer's exclusive remedy and seller's exclusive liability.