



" " -
www.promhimtech.ru / zakaz@promhimtech.ru

CNP

SO,SC

**Stainless Steel Horizontal Single-stage Centrifugal Pump
50Hz/60Hz**



Nanfang Pump Industry Co.,Ltd.

CNP Headquarter

Address: Renhe Town, Hangzhou China

PostCode: 311107

Tel: +86 571 86397810 , 86397838

Fax: +86 571 86397809

E-mail: info@nanfang-pump.com

<http://www.cnppump.com>

E110501
subject to amendments



Company Profile



Founded in 1991, Nanfang Pump Industry Co., Ltd. (hereinafter referred to as CNP) has been listed on the Shenzhen Stock Exchange on 9th December 2010; Stock name: CNP; Stock code: 300145.

As the first enterprise specializing in the research and large-scale production of stainless steel stamping welded centrifugal pump in China, CNP is currently the professional manufacturer with the highest volume of production and marketing in that industry. It ranks first in the country in terms of product scope, sales volume, and production quality. The company has set up a complete network of marketing services to meet the requirements of overseas markets as well as domestic needs. The products have seen a wide range of application in the area of pressurization, industry, living water, cycling of air-conditioning water, heat supply, fire extinguishing system, pumping of underground water, treatment of sewage and waste water, chemical industry and desalination of sea water etc.

CNP has now entered into the fast track of development and has taken a major step forward in forging China Strong Pump Enterprise and World's famous brand in the Pump Industry. In order to better meet the client's needs and requirements for expansion, it has set up a wide network of selling and service, as well as offices and service centers in major cities in China, which are aimed at providing timely and effective services for our clients. Meanwhile, our company has successfully penetrated into the world market by forging a good business relationship with more than 50 countries and regions in the Europe, Northern American, and Southeast Asia etc.

Content

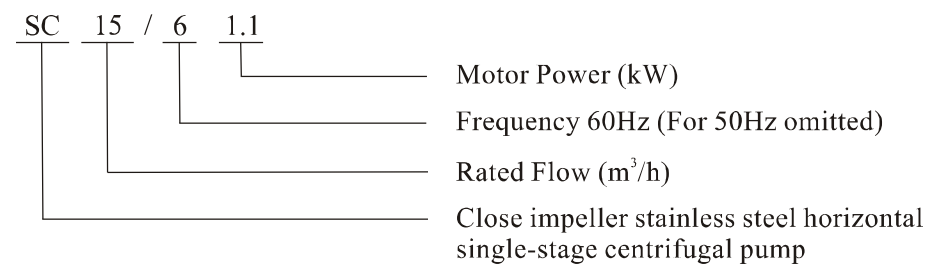
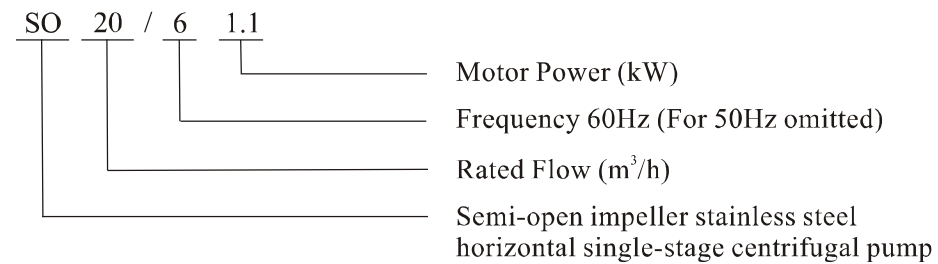
General Data

Definition of model	3
Structure features	3
Applications	3
Operating condition	4
Motor	4
Installation requirement	4
Curve conditions	4
Section Drawing SO	5
Material SO	5
Section drawing SC	6
Material SC	6
Scope of performance SO 50Hz	7
Performance table SO 50Hz	7
Scope of performance SC 50Hz	8
Performance table SC 50Hz	8
Scope of performance SO 60Hz	9
Performance table SO 60Hz	9
Scope of performance SC 60Hz	10
Performance table SC 60Hz	10

Technical Data

SO 50Hz	11
SC 50Hz	12
SO 60Hz	13
SC 60Hz	14
installation drawing (thread connection)	15
size and weight (thread connection)	15
installation drawing (cutting ferrule connection)	16
size and weight (cutting ferrule connection)	16

● Definition of model



● Structure features

- SO is semi-open impeller stainless steel horizontal single-stage centrifugal pump. SC is close impeller stainless steel horizontal single-stage centrifugal pump. They are axial suction and radial discharge.
- Compact structure, the pump is connected with motor directly and fit with same shaft.
- Easy for connection. They are thread and cutting ferrule connection for inlet and outlet.
- Light weight, casing is welded by punching thin plate. SO impeller is investment casting part. SC impeller is welded by punching thin plate.
- A little corrosion proof. Wet parts are in AISI304 or AISI316 stainless steel.

● Applications

SO

- Domestic water;
- Water supply for industrial washing machine;
- Water supply and drainage;
- Washing and surface cleaning for households;

SC

- Cooling, air condition and heating system;
- Cooling device;
- Washing device;
- Pressurization and transportation of water for domestic and industry;

● Operating condition

- Liquid temperature: -10°C~+90°C;
- Ambient temperature: up to +40°C;
- Altitude: up to 1000m;
- Max. pressure of the system is 8 bar.

● Motor

- TEFC motor, 2 poles;
- Protection class: IP55;
- Insulation class: F;
- Standard voltage: 1 × 220V
3 × 220V/380V
- Max. power of 1ph motor: 2.2kW.

● Installation requirement

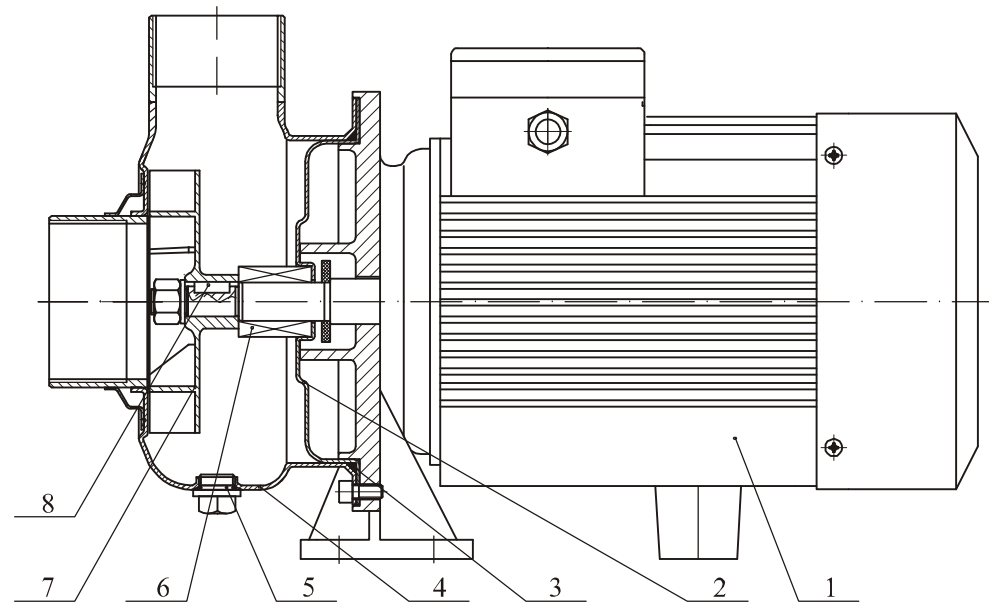
- The pump shall be installed on the base horizontally, When installing, please ensure the pump will not be forced by tension of the pipeline.
- The pump shall be installed on the ventilating and anti-freezing place. The pump shall not be damaged by lack of phase, unstable voltage, current leakage and overload when electrical connection.

● Curve conditions

The guidelines below apply to the curves shown on the next pages;

- All curves are based on the measured value of motor 3 × 380V, 50Hz: under the constant speed of 2900 rpm, 60Hz: under the constant speed of 3450rpm.
- Tolerances to ISO 9906, Annex A, if indicated;
- Measurements were made with airless water at a temperature of 20°C;
- The curves apply to a kinematic viscosity of $\mu = 1 \text{ mm}^2/\text{s}$ (1 cSt).
- The bold curves indicate the recommended performance range. Do not operate pump exceeding the performance scope to prevent from motor overload.

● Section Drawing of SO

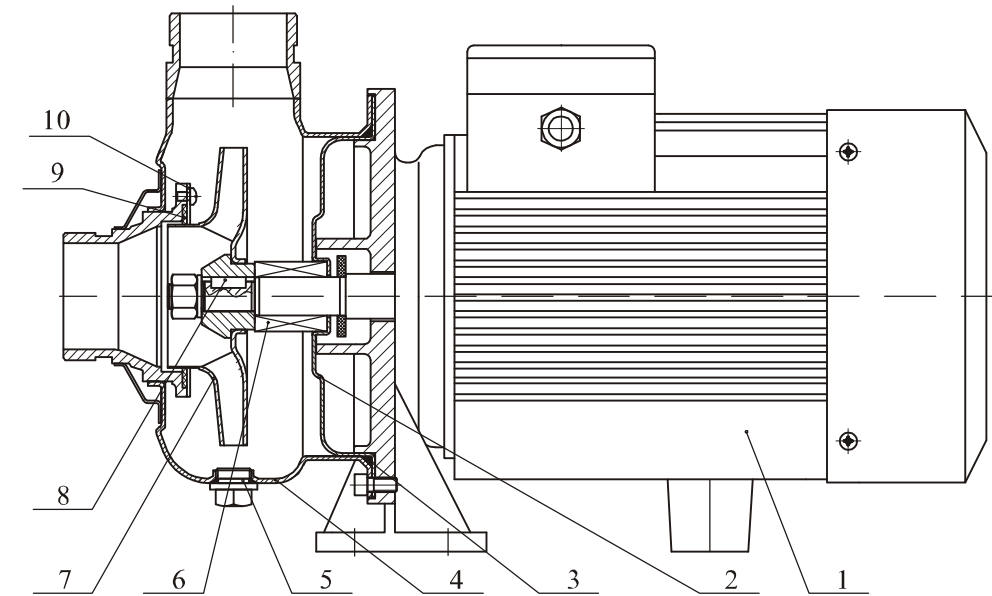


● Material of SO

NO.	Parts	Material	AISI
1	Motor		
2	Seal base plate	Stainless steel	AISI304
3	O ring	NBR	
4	Casing	Stainless steel	AISI304
5	Plug	Stainless steel	AISI304
6	Mechanical seal	Carbon / Silicon Fluoride	
7	Impeller	Stainless steel	AISI304
8	Key	Stainless steel	AISI304

The material for mechanical seal can be Sic/Sic or Tc/Tc on request.

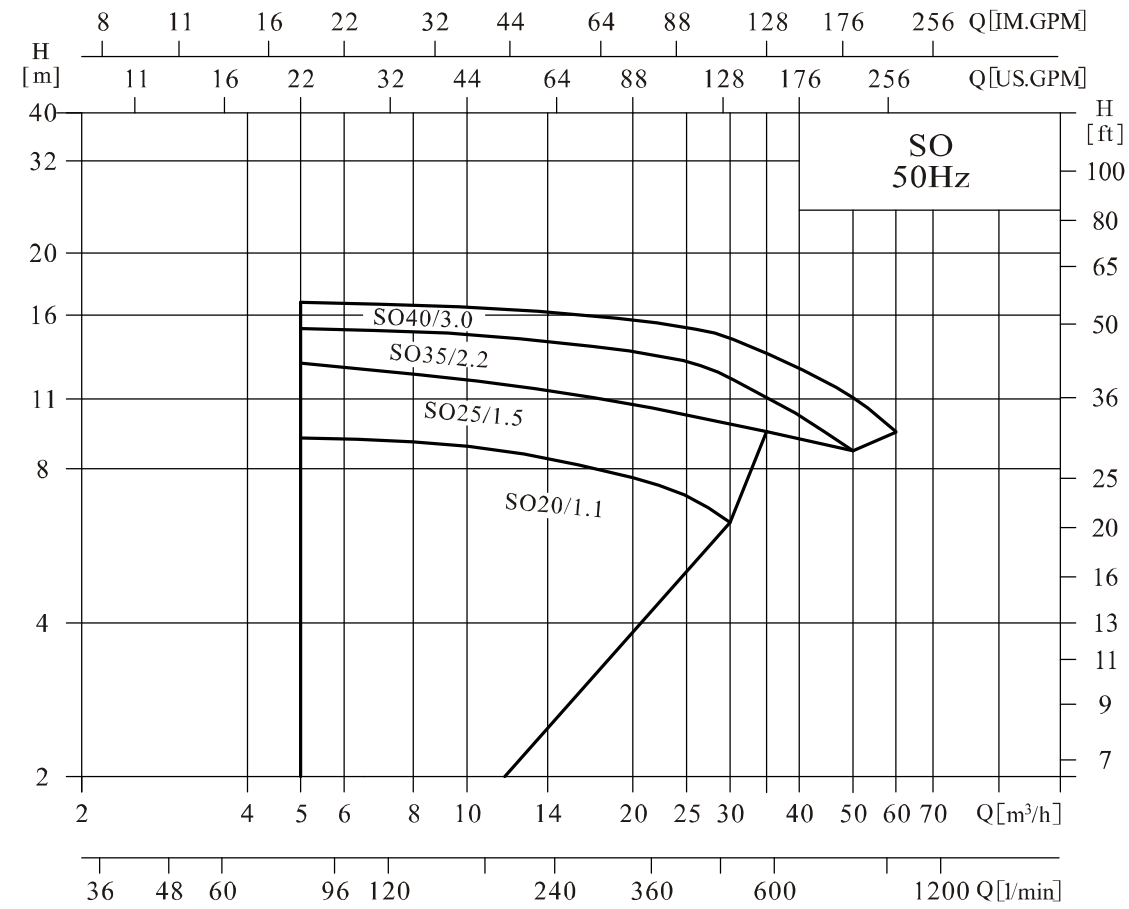
● Section drawing of SC



● Material of SC

NO.	Parts	Material	AISI
1	Motor		
2	Seal base plate	Stainless steel	AISI304
3	O ring	NBR	
4	Casing	Stainless steel	AISI304
5	Plug	Stainless steel	AISI304
6	Mechanical seal	Carbon / Silicon Fluoride	
7	Impeller	Stainless steel	AISI304
8	Key	Stainless steel	AISI304
9	Neck ring	F4	
10	Neck ring cover	Stainless steel	AISI304

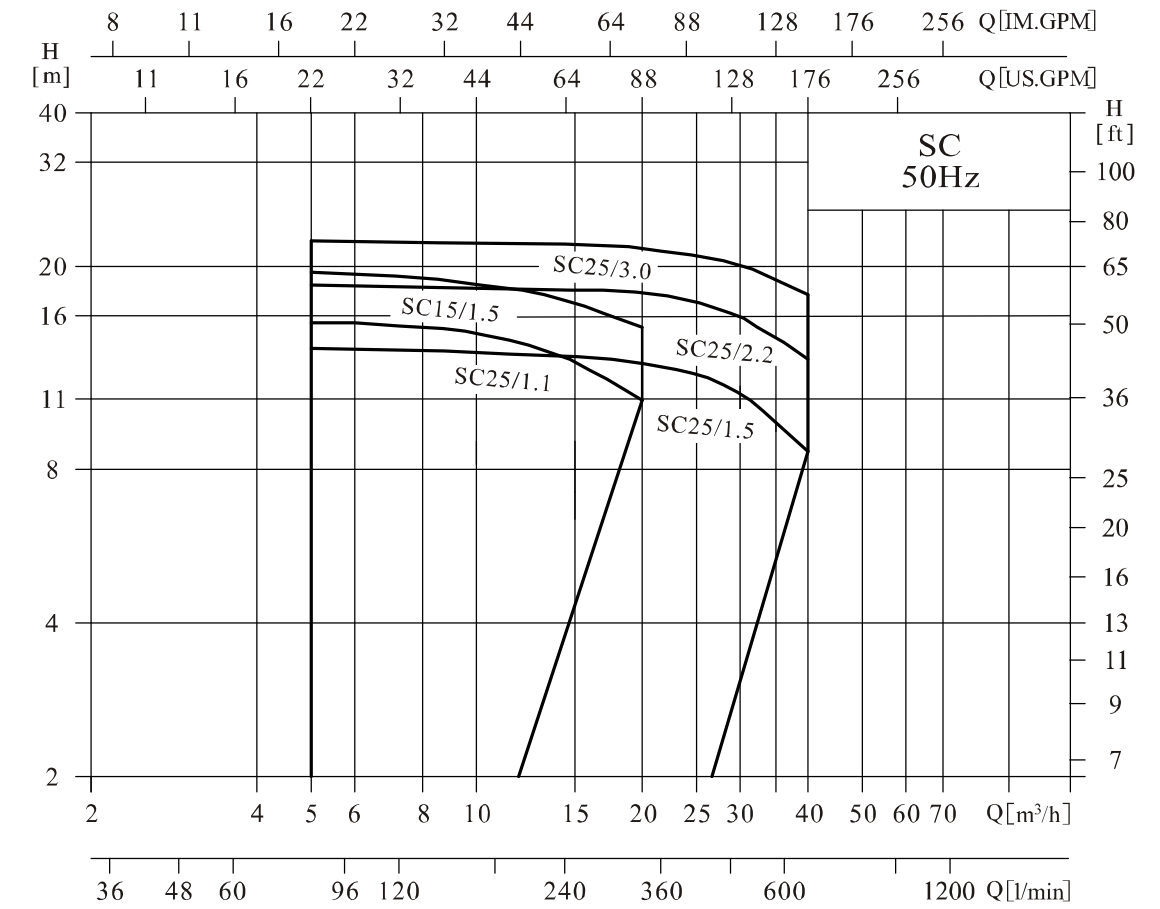
● Scope of performance SO 50Hz



● Performance table SO 50Hz

Model	Motor (kW)	Q (m³/h)	5	10	20	25	30	35	40	50	60
SO20/1.1	1.1	H (m)	9.2	8.9	7.5	7.1	6.3				
SO25/1.5	1.5		12.5	11.9	11	10	9.5	9			
SO35/2.2	2.2		15.1	14.7	13.6	13	12.2	11	10.2	8.7	
SO40/3.0	3.0		17	16.6	15.7	15.2	14.5	13.5	12.5	11.3	9.5

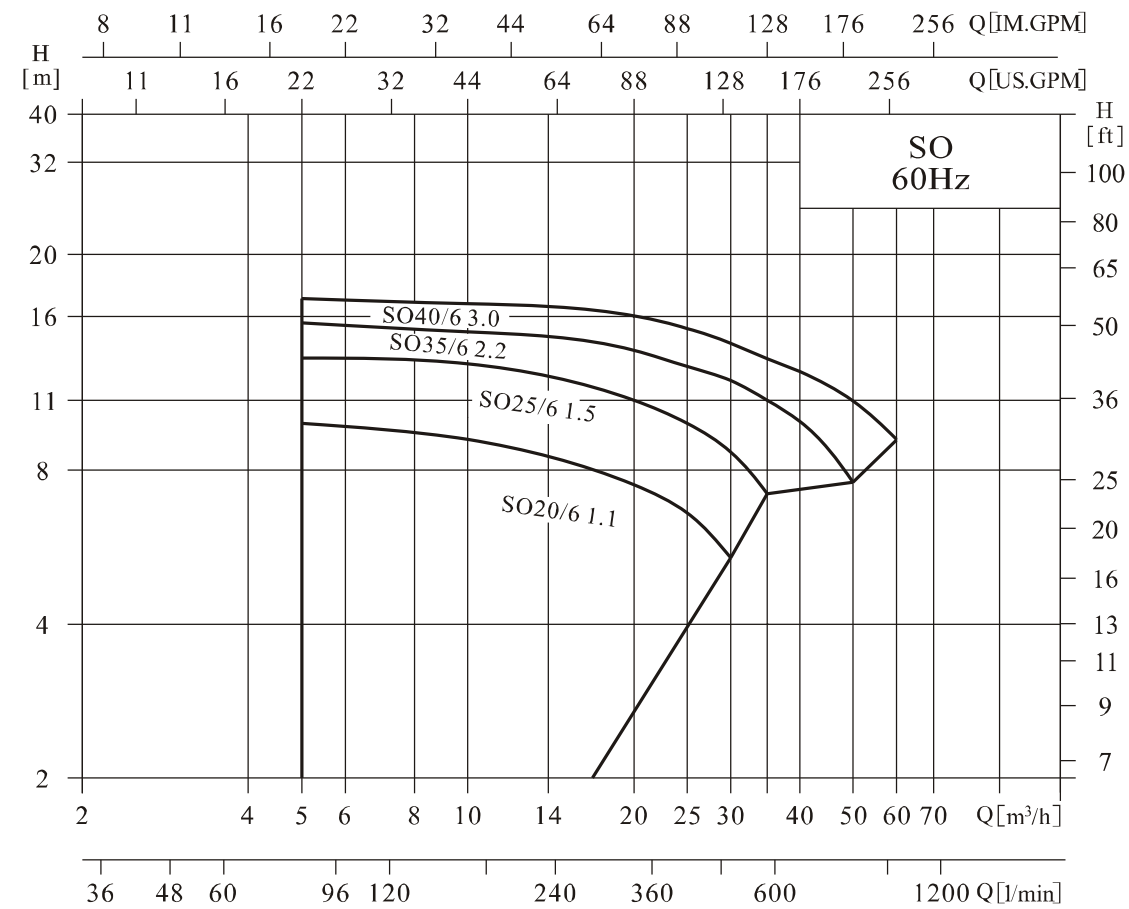
● Scope of performance SC 50Hz



● Performance table SC 50Hz

Model	Motor (kW)	Q (m³/h)	5	10	15	20	25	30	35	40
SC15/1.1	1.1	H (m)	15.5	14.8	13	10.9				
SC15/1.5	1.5		19.5	18.5	17	15.2				
SC25/1.5	1.5		13.8	13.6	13.3	12.9	12	11.3	9.9	8.7
SC25/2.2	2.2		18.4	18.1	18	17.8	17	15.9	14.5	13.1
SC25/3.0	3.0		22.4	22.3	22.1	21.7	21	20.1	18.8	17.6

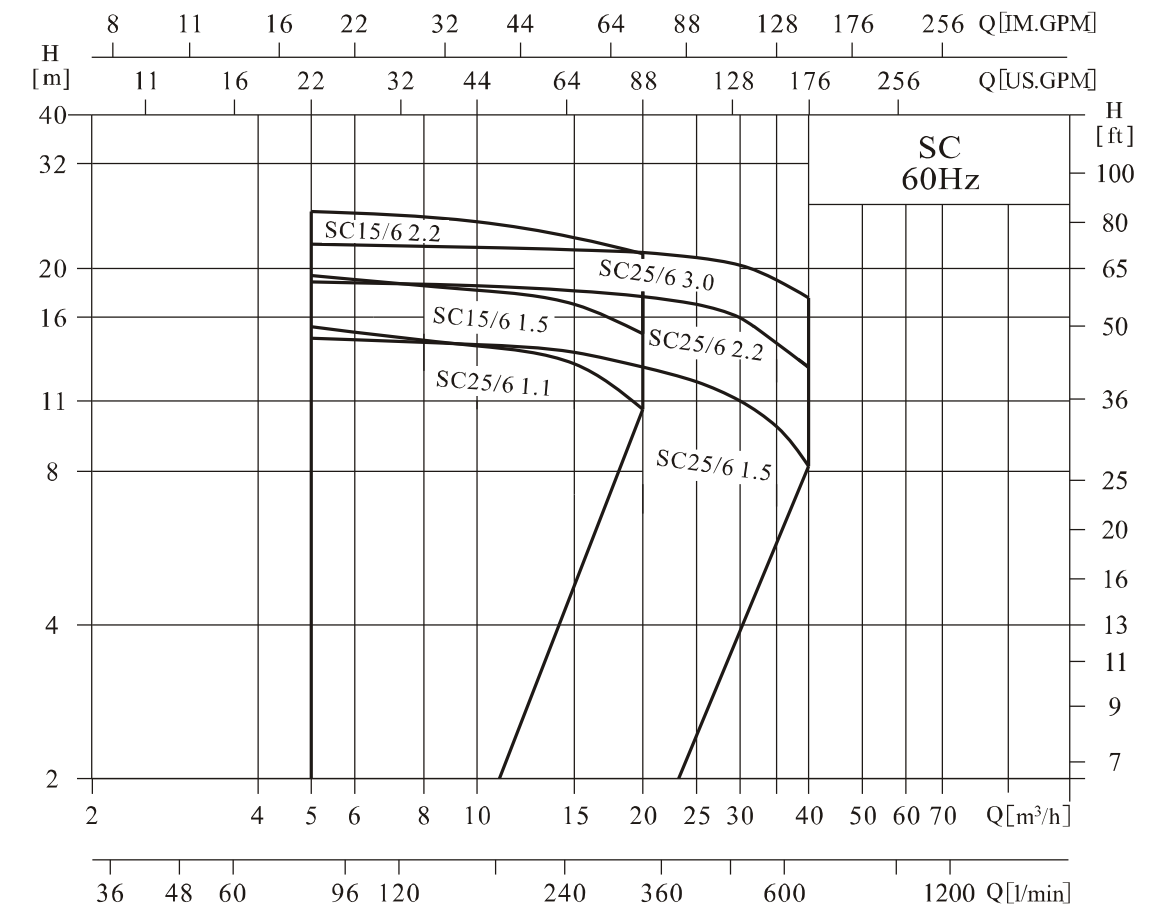
● Scope of performance SO 60Hz



● Performance table SO 60Hz

Model	Motor (kW)	Q (m³/h)	5	10	20	25	30	35	40	50	60
SO20/6 1.1	1.1	H (m)	9.9	9.2	7.5	6.6	5.4				
SO25/6 1.5	1.5		13.3	12.6	10.8	10	8.7	7.2			
SO35/6 2.2	2.2		15.6	15	13.8	12.8	12	11	10	7.6	
SO40/6 3.0	3.0		17.4	17	16	15.2	14.2	13.2	12.5	11	9.2

● Scope of performance SC 60Hz

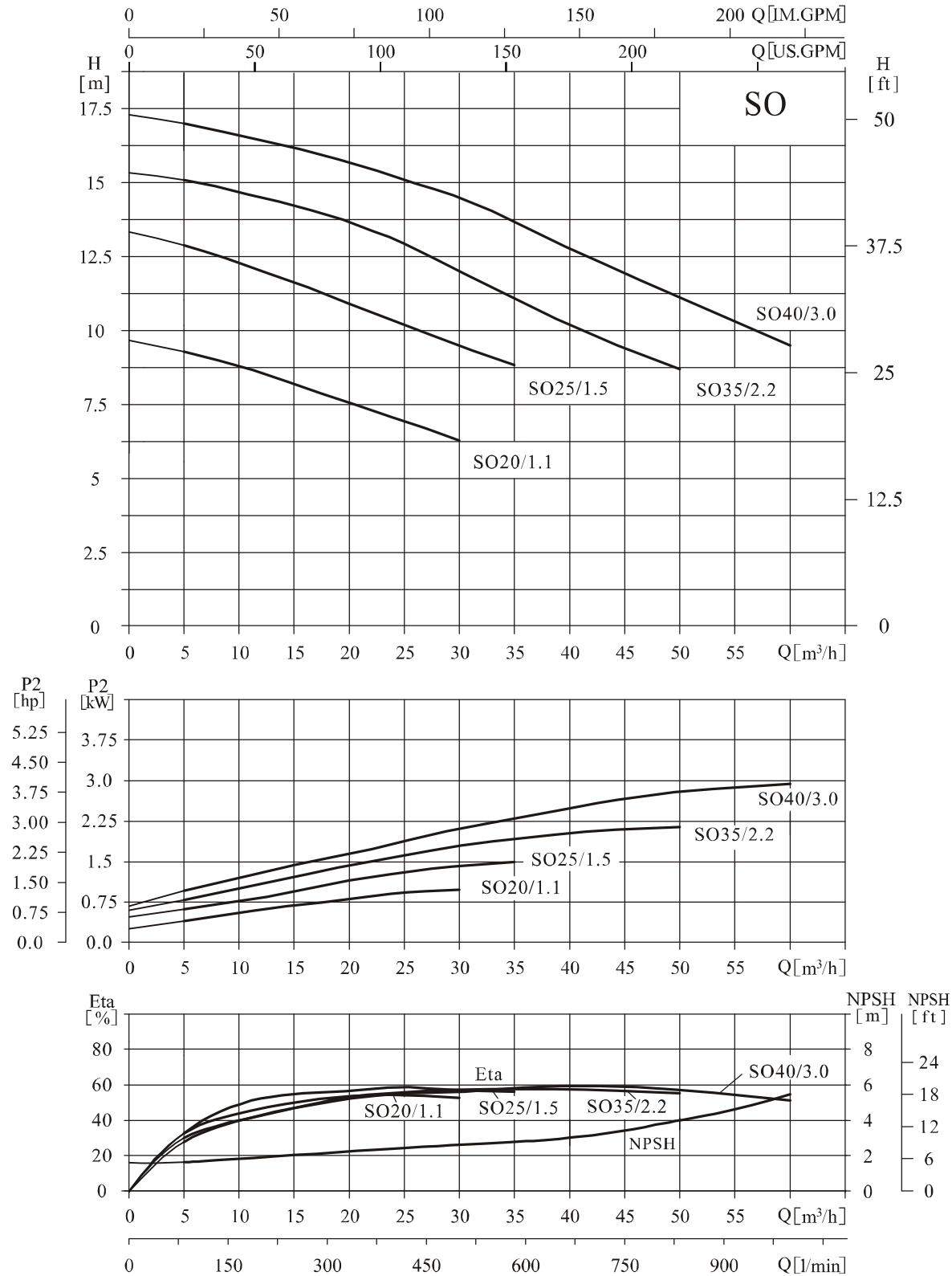


● Performance table SC 60Hz

Model	Motor (kW)	Q (m³/h)	5	10	15	20	25	30	35	40
SC15/6 1.1	1.1	H (m)	15.4	14.1	13	10.6				
SC15/6 1.5	1.5		19.4	18.4	17	14.9				
SC15/6 2.2	2.2		25.9	24.7	23	21.4				
SC25/6 1.5	1.5		14.6	14.2	13.7	12.8	12	11	9.8	8.2
SC25/6 2.2	2.2		18.8	18.5	18.1	17.6	17	16	14.3	12.8
SC25/6 3.0	3.0		22.3	22	21.8	21.5	21	20.3	19	17.5

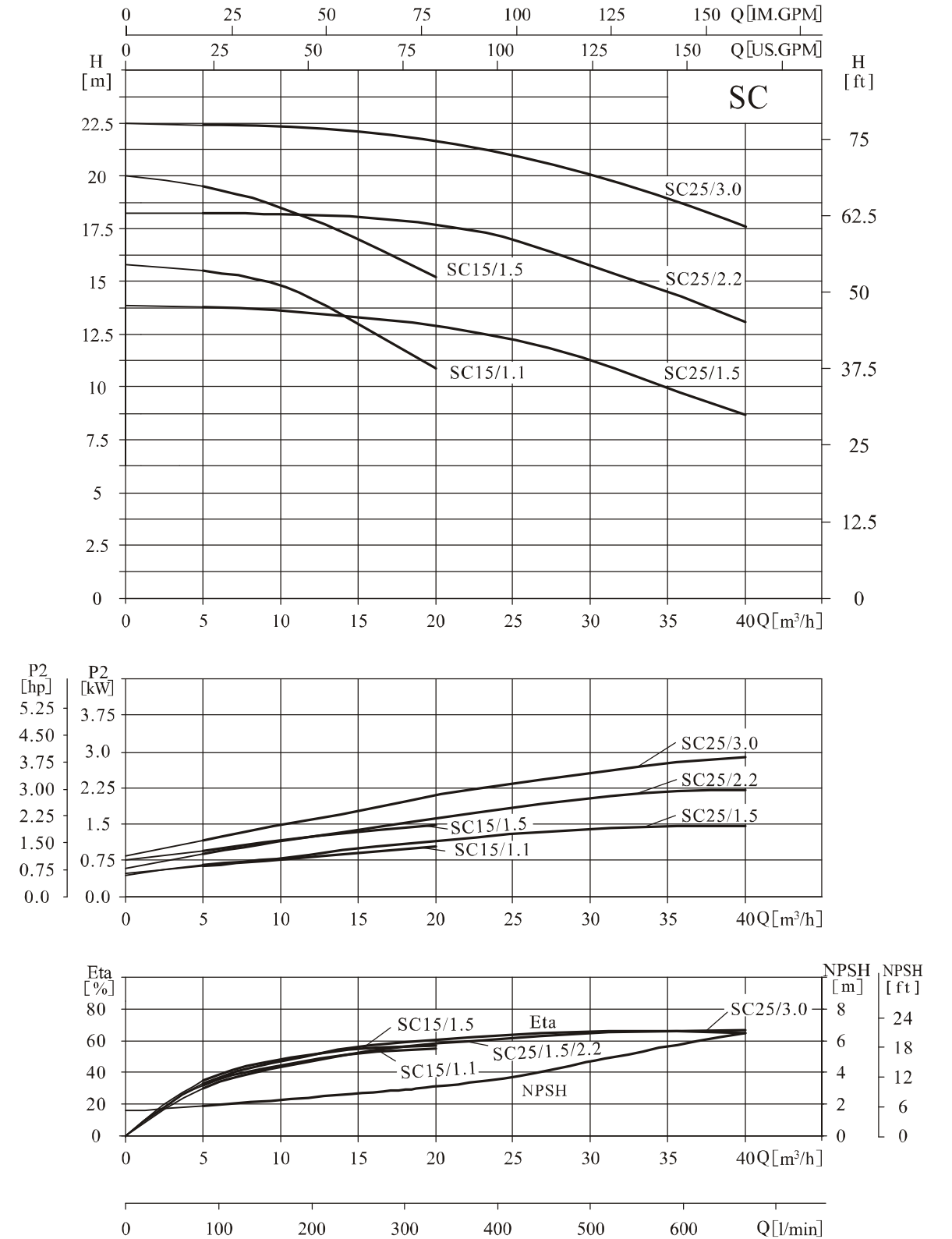
● Performance curve

50Hz ISO9906 Annex A



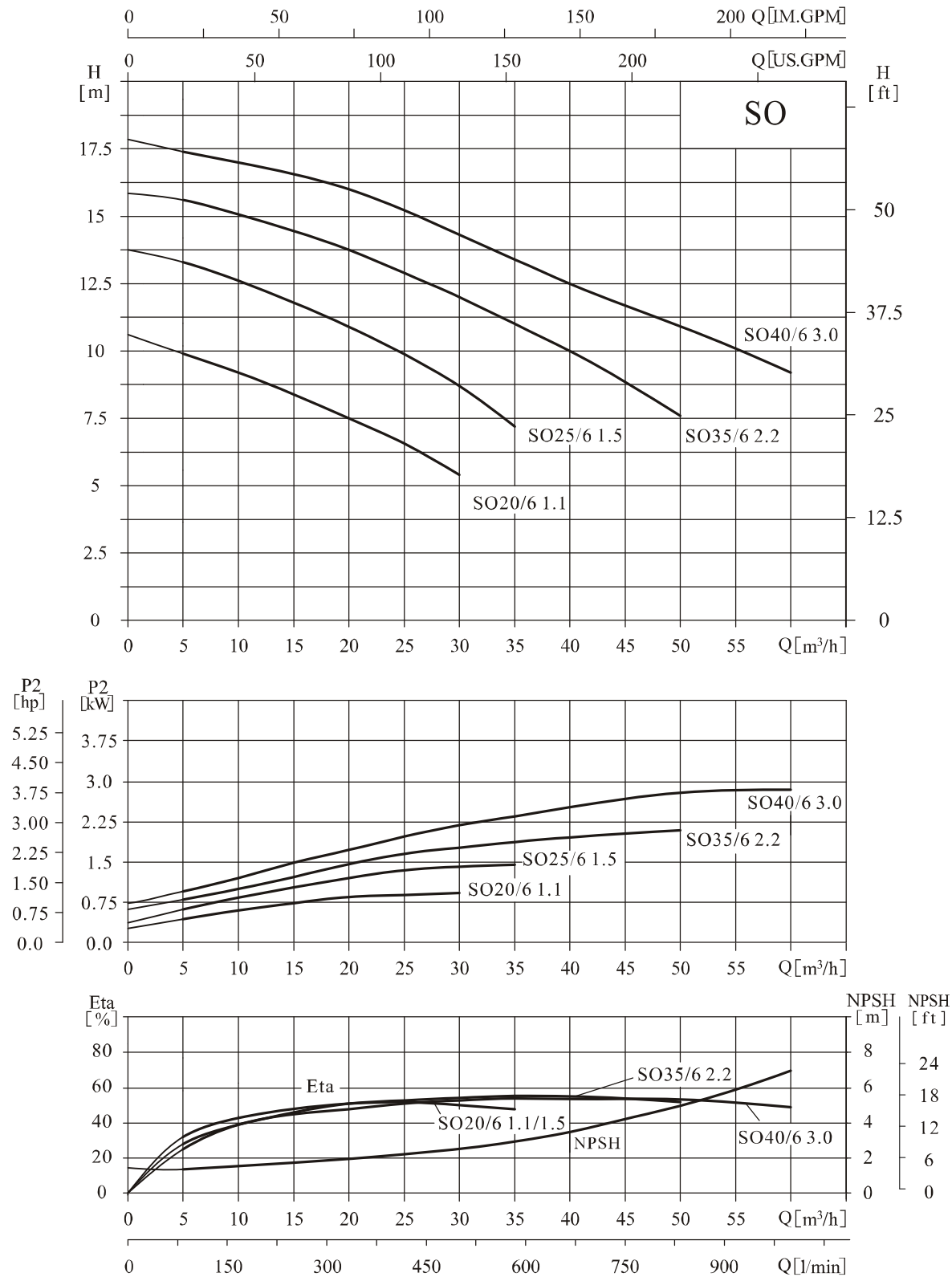
● Performance curve

50Hz ISO9906 Annex A



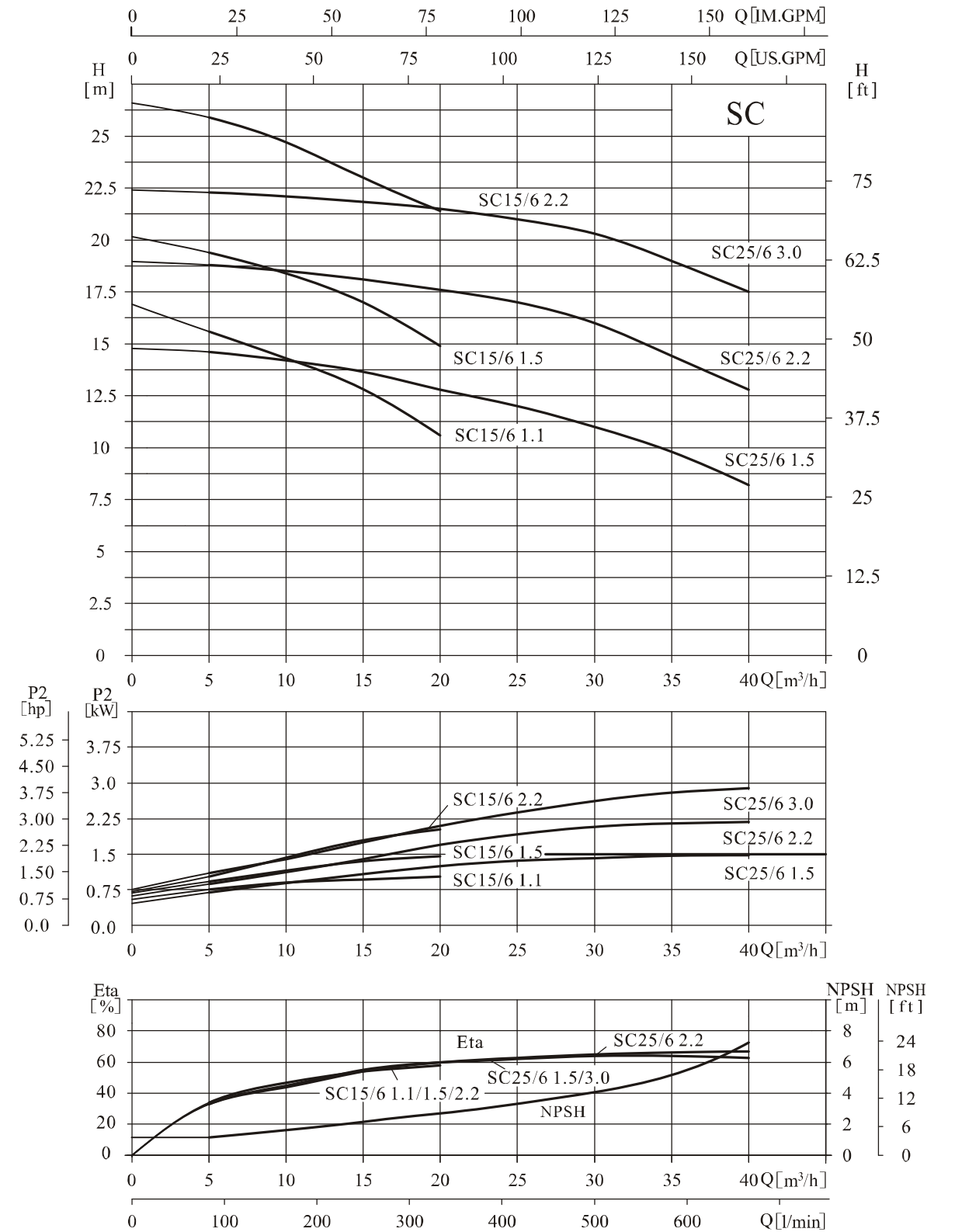
● Performance curve

60Hz ISO9906 Annex A

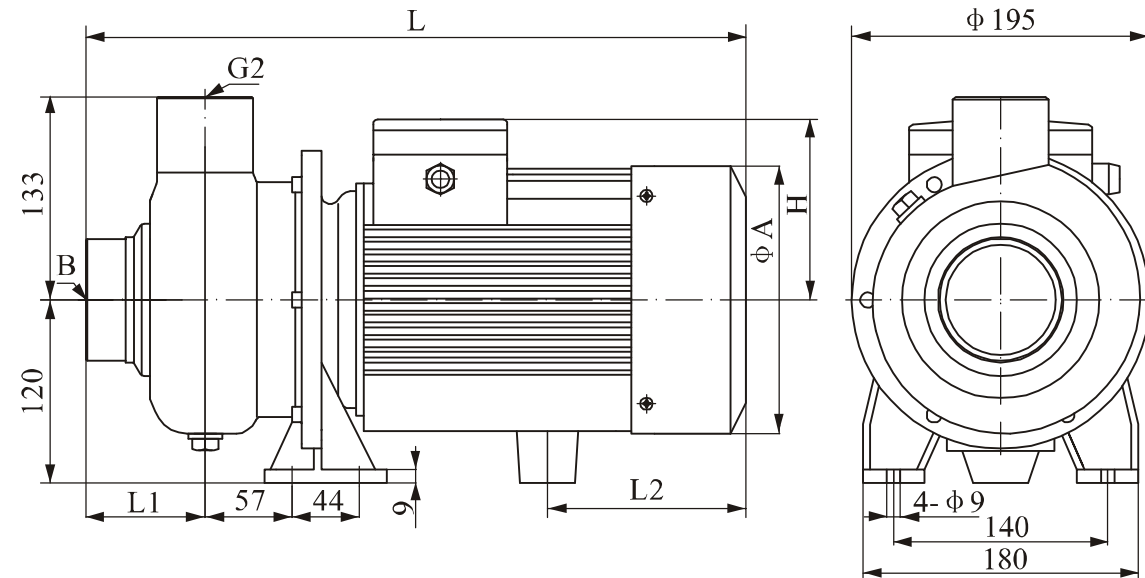


● Performance curve

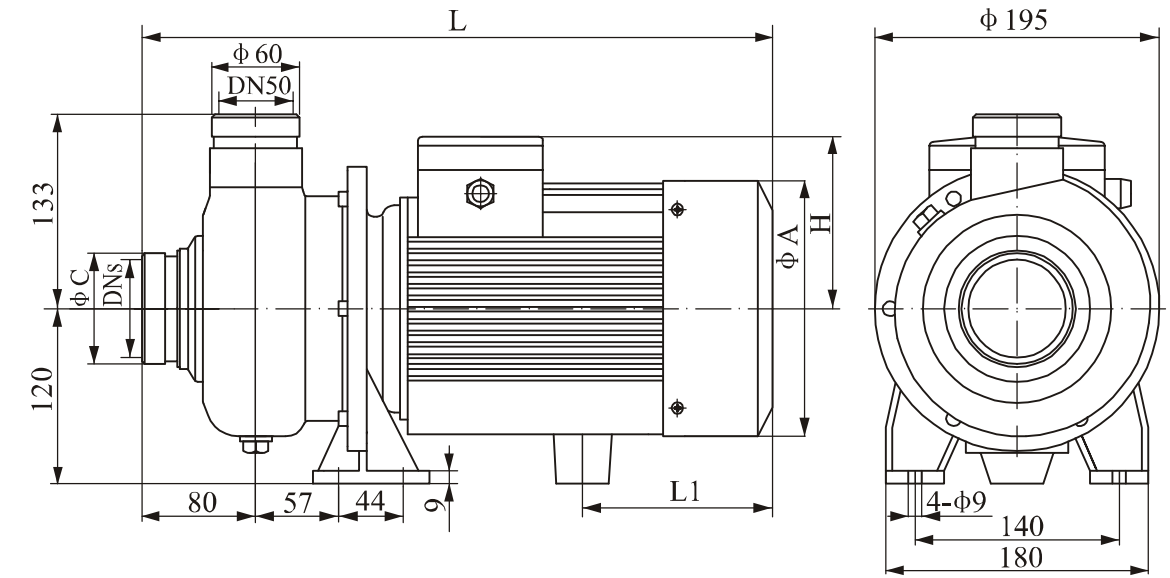
60Hz ISO9906 Annex A



● installation drawing (thread connection)



● installation drawing (cutting ferrule connection)



● size and weight (thread connection)

Model	L	L1	L2	φ A	B	H		Weight (kg)
						1th	3th	
SO20/1.1 SO20/6 1.1	410	74	115	160	G2	147	113	18
SO25/1.5 SO25/6 1.5						157		21
SO35/2.2 SO35/6 2.2	420	78	123	175	G2 ^{1/2}		121	23
SO40/3.0 SO40/6 3.0								25
SC15/1.1 SC15/6 1.1	410		115	160		147	113	19
SC15/1.5 SC15/6 1.5								22
SC25/1.5 SC25/6 1.5	420	80	123	175	G2	157		22
SC15/6 2.2 SC25/2.2 SC25/6 2.2							121	24
SC25/3.0 SC25/6 3.0								26

● size and weight (cutting ferrule connection)

Model	L	L1	φ A	DNs	φ C	H		Weight (kg)
						1th	3th	
SO20/1.1 SO20/6 1.1	410	115	160	50	60	147	113	18
SO25/1.5 SO25/6 1.5						157		21
SO35/2.2 SO35/6 2.2	420	123	175	65	76		121	23
SO40/3.0 SO40/6 3.0								25
SC15/1.1 SC15/6 1.1	410	115	160			147	113	19
SC15/1.5 SC15/6 1.5								22
SC25/1.5 SC25/6 1.5	420	123	175	50	60	157		22
SC15/6 2.2 SC25/2.2 SC25/6 2.2							121	24
SC25/3.0 SC25/6 3.0								26

MEMO

CNP India
CNP Pumps India (P) Ltd
(formerly know as 'Nanfeng Pumps India (P) Ltd')
Plot No. B-5, 502, Sambhav I.T. Park,
Behind Aplab Company, Wagle Industrial Estate,
MIDC, Thane 400604. INDIA.
Tel no: +91-22-25818400 [100 lines]

CNP Indonesia
PT SOUTHERN INDONESIA (Lindeteves Trade Centre)
Address:Blk RA No56-57,JI Hayam Wuruk 127, Jakarta 11180,Indonesia
Tel:+62 21 62200955/30012832

CNP Sole Agent-Malaysia
IKHUA ENGINEERING SDN.BHD
Address:Plot F,Lot 1998,Jalan Perusahaan Tiga,
Taman Selesa Jaya, 43300 Balakong,
Selangor Darul Ehsan,Malaysia.
Tel:603-8961 6858(Hunting Line)

CNP Sole Agent-Libya
AL-NABAA WATER TREATMENT TECHNOLOGIES
Address:Alkafif Trade Complex No(7) Aljazier Street,Benghazi, Libya
Tel:00218 61 9090070

CNP Sole Agent-Syria
Hamza Daadouch Trading Company
Address: Al Marjeh-Hamadani St. No.15 Damascus, Syria
Tel:011 2217050-2226770-2211306

CNP Sole Agent-Chile
COSMOPLAS S.A.
Address: RIO REFUGIO 9652 ENEA PUDAHUEL, SANTIAGO CHILE
Tel: (02) 5987000

CNP Sole Agent-Australia & New Zealand
White International Pty Ltd Australia
Address: 52-60 Ashford Ave Milperra, NSW 2214
Tel: 02 9783 6041
White International Pty Ltd New Zealand
Address:138 Hugo Johnston Drive Penrose, Auckland, New Zealand
Tel: (+64) 09 579 9903

CNP Sole Agent-UK
T-T PUMP
Address: Woore, Cheshire, CW3 9RU, England
Tel:+44 (0)1630 647200

Varna Ltd.
Address: Ukraine, Kharkov, 75, Yakira
Tel: +38 057 738 76 38