

Etaprime – Self-priming Pump



Etaprime B

Applications:

- Water supply
- Fire-fighting systems
- Spray irrigation
- General irrigation
- Drainage
- Cooling water
- Air-conditioning systems
- Drinking water
- Service water
- Swimming pool water
- Seawater
- Fire-fighting water
- Brackish water
- Condensate
- Brine
- Oils
- Cleaning agents

More information:

www.ksb.com/products

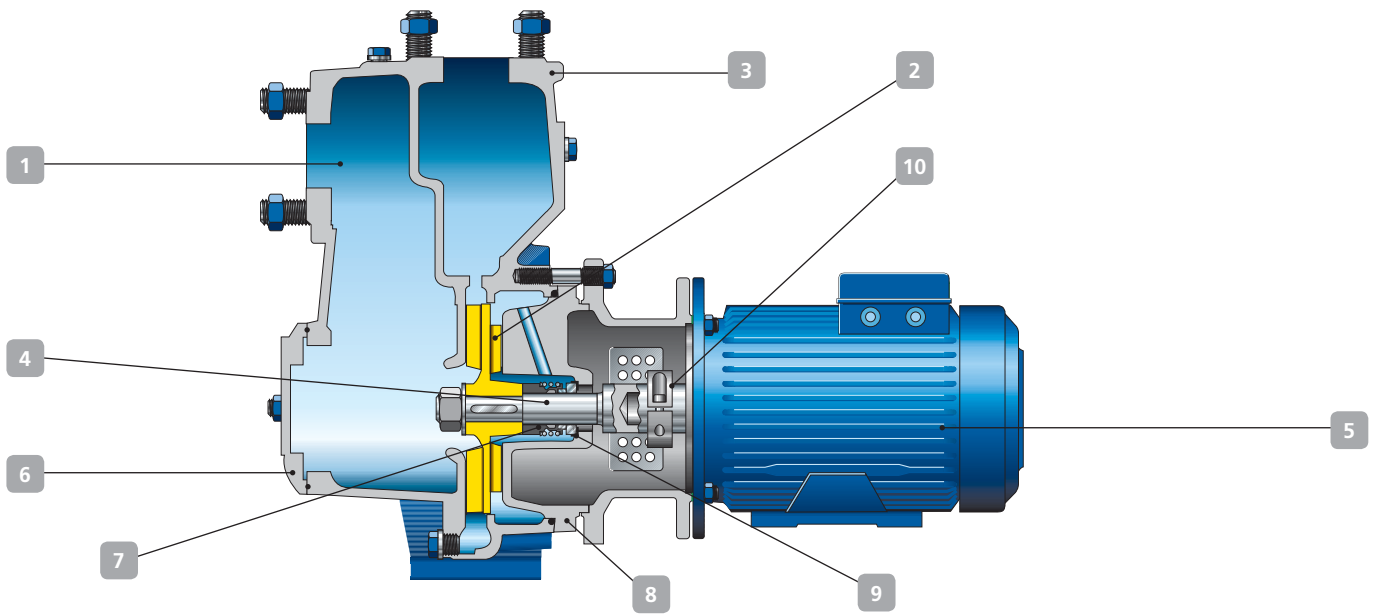


Etaprime L

Your contact:



Etaprime – Self-priming Pump



- 1 Self-priming**
after the pump casing has been filled with the fluid handled.
- 2 Excellent suction behaviour**
Self-priming up to 9 m. No foot valve required.
- 3 Insensitive**
to the penetration of gas and air.
- 4 Double mechanical seal**
Tandem and back-to-back. Available for tough applications.
- 5 Service-friendly**
thanks to robust KSB IE3 motor to IEC 60034-30
- 6 Easy to clean**
via inspection cover.
- 7 Wear-resistant**
Shaft sleeve prevents wear on the shaft.

- 8 Simple dismantling**
Back pull-out design: The casing may remain in the piping while the pump is dismantled.
- 9 Reliable operation**
Maintenance-free mechanical seal
- 10 Compact design**
Close-coupled version (Etaprime B). Pump without separate coupling, which eliminates the need for coupling alignment.
- Diverse bearing lubrication options**
Etaprime L: Bearings grease-packed for life or oil-lubricated (constant level oiler or oil indicator).
- Diverse bearing monitoring options**
Etaprime L: Connection options for temperature and shock pulse measurement.

Materials

Cast iron, stainless steel

Material variants:

- G) Grey cast iron EN-GJL-250 /A48 CL 35B
- C) Stainless steel 1.4408 /A743 Gr CF8 M
- GC) Grey cast iron with 1.4408 impeller

Technical data

	Etaprime L	Etaprime B
Max. capacity	180 m ³ /h	130 m ³ /h
Max. discharge head	85 m	68 m
Fluid temperature	-30 to +90 °C	-30 to +90 °C
Pump discharge pressure	max. 10 bar	max. 10 bar



KSB Aktiengesellschaft
Johann-Klein-Straße 9
67227 Frankenthal (Germany)
www.ksb.com